



It shall apply from: **07-06-2019** r.

**THE ASSEMBLY INSTRUCTION OF:
Skatepark Set no. 6
PRODUCT CODE: 100698**

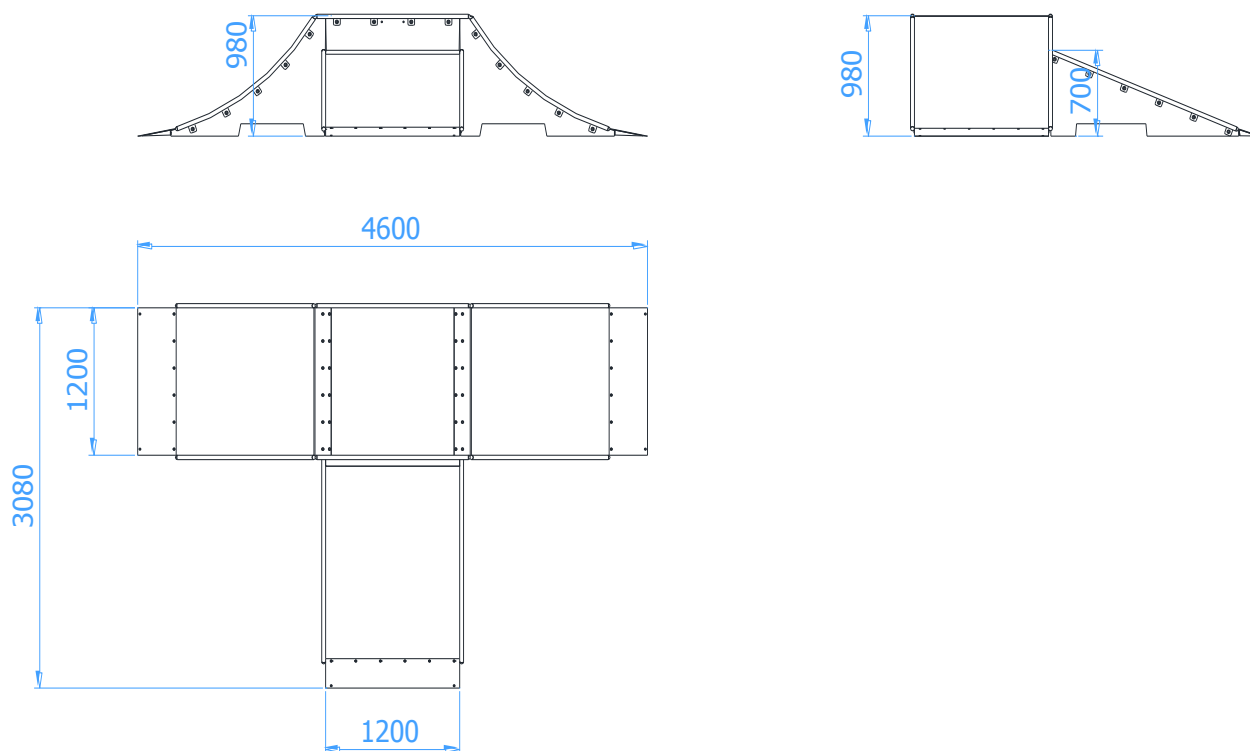


TABLE OF CONTENTS

INTRODUCTION	2
STAGE 1 – Preparatory works – safety zone	3
STAGE 2 – Assembly of the construction	3
1. List of components	3
2. Assembly scheme	4

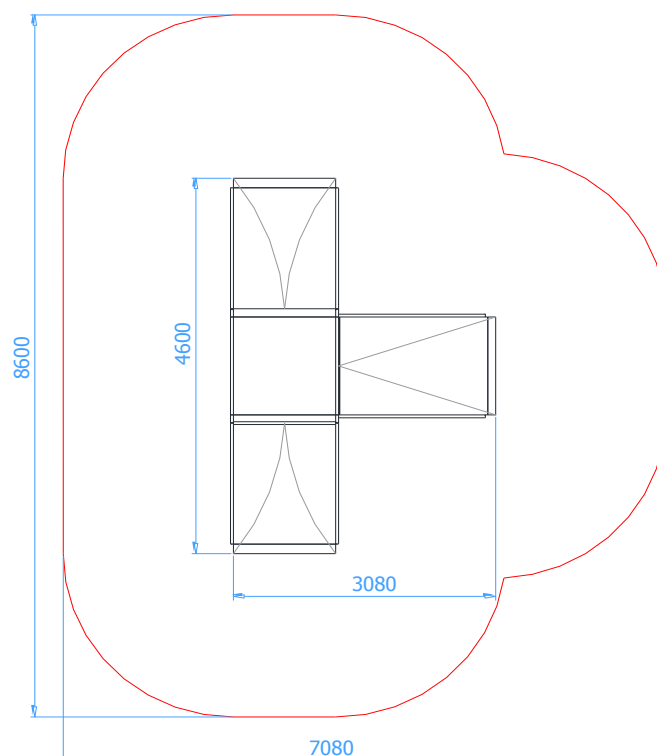
INTRODUCTION

- Overall dimensions: 4,60 x 3,08 x 0,98 m



STAGE 1 – Preparatory works – safety zone

- Secure the assembly site to keep others at a distance
- Set the construction in a designated place having regard to required impact area.



WARNING!

Installation shall be performed in accordance with safety & health standards

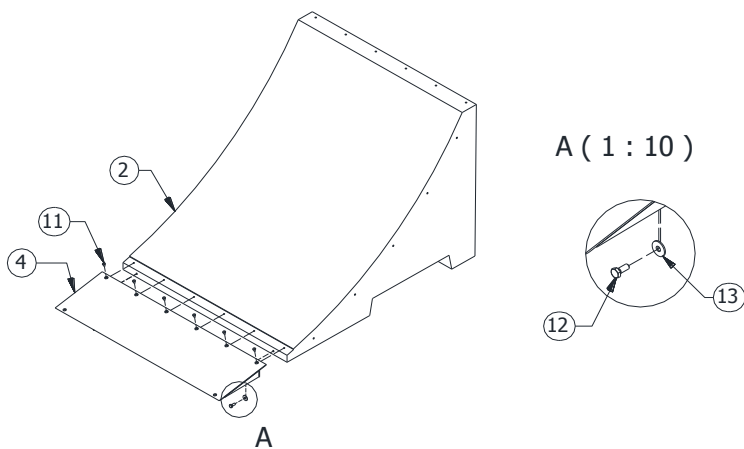
STAGE 2 – Assembly of the construction

1. List of components

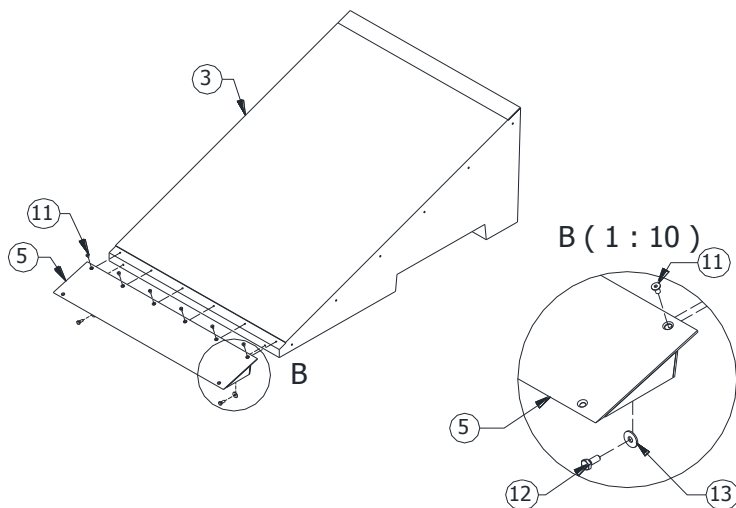
No	Name of component	Dimensions	Qty.	Norm
1	Box 980 2S	1200x1200x980	1	
2	Ramp 980		2	
3	Bank 700 standalone		1	
4	Stainless steel toe plate for Ramp	350x1200	2	SN.350.000
5	Stainless steel toe plate for Bank	250x1200	1	SN.250.000
6	Side rail for Bank 700		2	SP.BK.002
7	Ramp and Box 980 connector	1 200x155x5	2	SP.Ł.106
8	Side rail for Box-Ramp		2	SP.BX.005 LR
9	Side rail for Ramp 980		4	SP.RP.006
10	Countersunk screw	M10 x 20	24	DIN 7991
11	Countersunk screw torx	TX45 - M8 x 16	18	ISO 14581
12	Hexagon head screw	M10 x 25	46	DIN 933
13	Washer	Ø30xØ10,5x2,5 (M10)	46	DIN 9021
14	Plastic expansion bolt	Ø10x80	6	

2. Assembly scheme

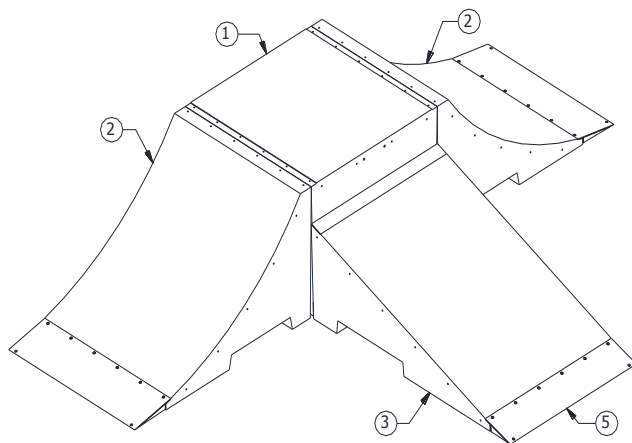
- Screw the steel toe plates (point 4) to the Ramps (point 2) by using screws and washers of point 11, 12 and 13.



- Screw the steel toe plates (point 5) To the Banks (point 3) by using screws and washers of point 11, 12 and 13.



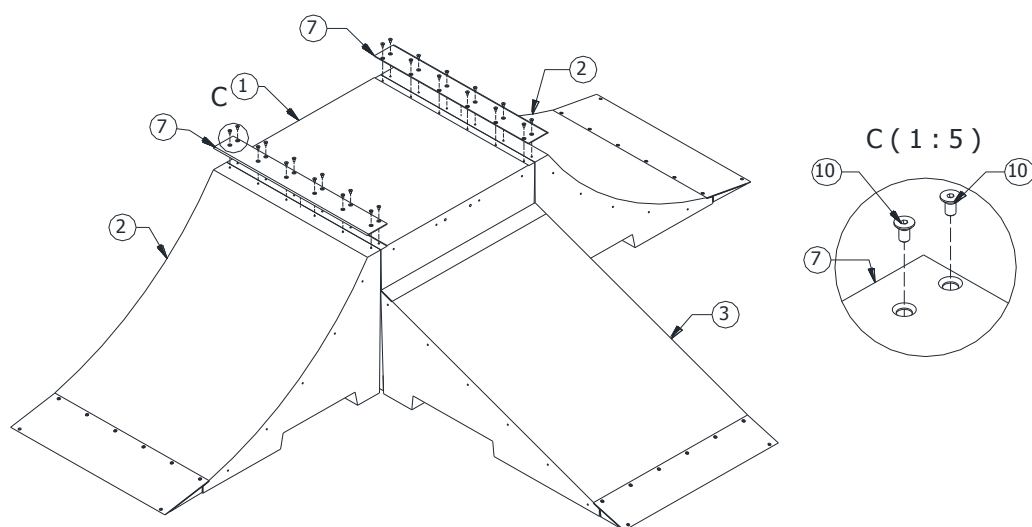
- Place the concrete elements according to the illustration below:



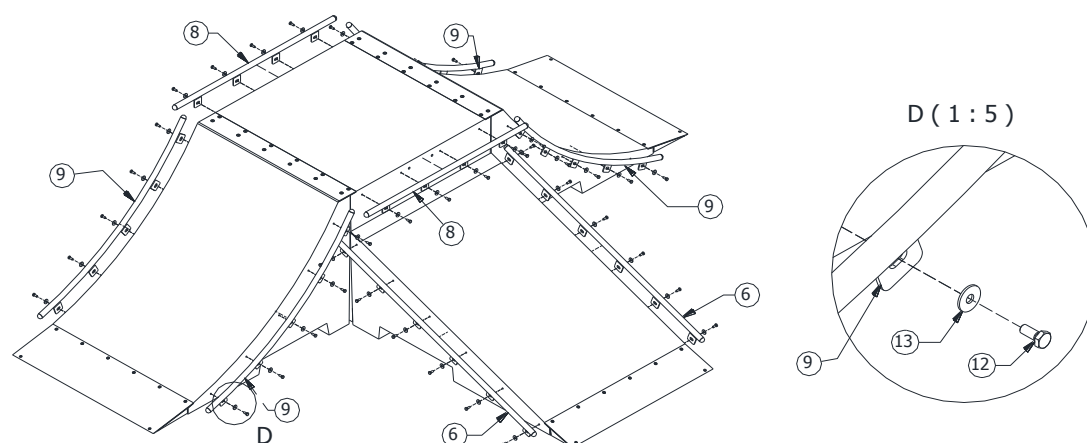
ASSEMBLY INSTRUCTION

Product code:: 100698 Skatepark Set no 6

- Connect the upper surfaces of concrete elements to each other by using connectors of point 7) and screws of point 10.



- Screw the side rails (point 6, 8, 9,) by using screws and washers of point 12 and 13.



- All the corners of the steel toe plates shall be mounted to the ground with the extension bolts of point 14
- Remove the slacks in joints
- Put the statutory plate