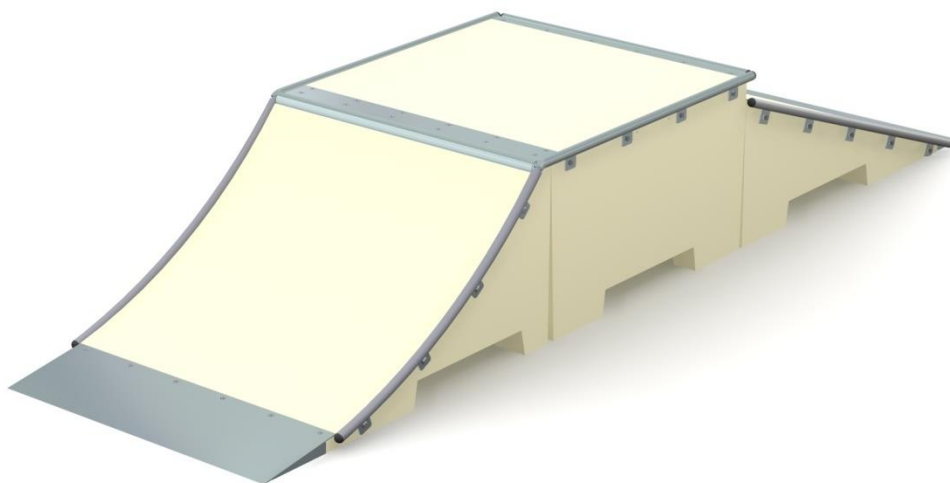




It shall apply from: **21-06-2016 r.**

THE ASSEMBLY INSTRUCTION OF:
SKATEPRAK SET No. 8-700
PRODUCT CODE: **100870**



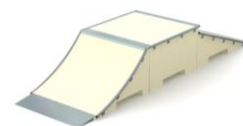
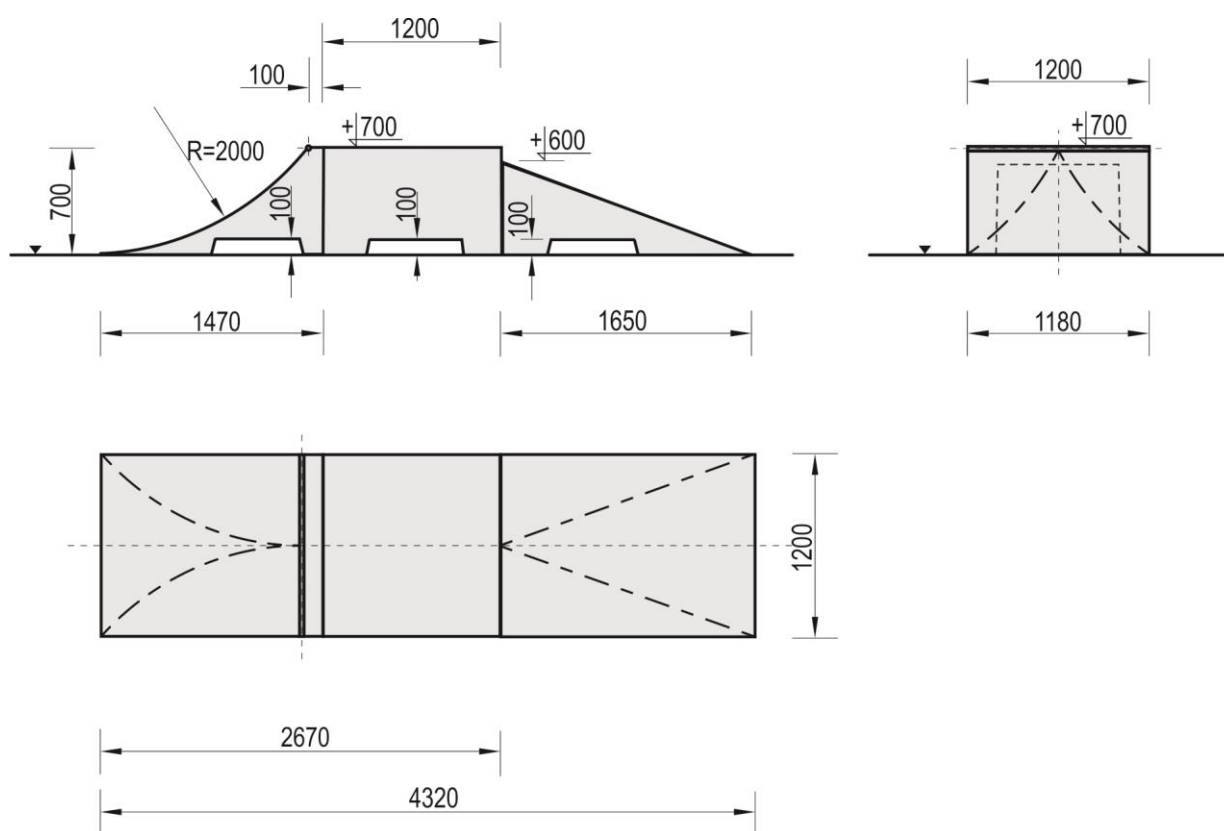


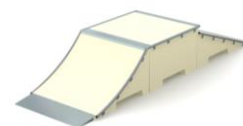
TABLE OF CONTENTS

INTRODUCTION	2
STAGE 1 – Preparatory work	3
STAGE 2 – Assembly of the construction	3
1. List of components	3
2. Assembly scheme	4

INTRODUCTION

- Overall dimensions: 4,32 x 1,20 x 0,70m

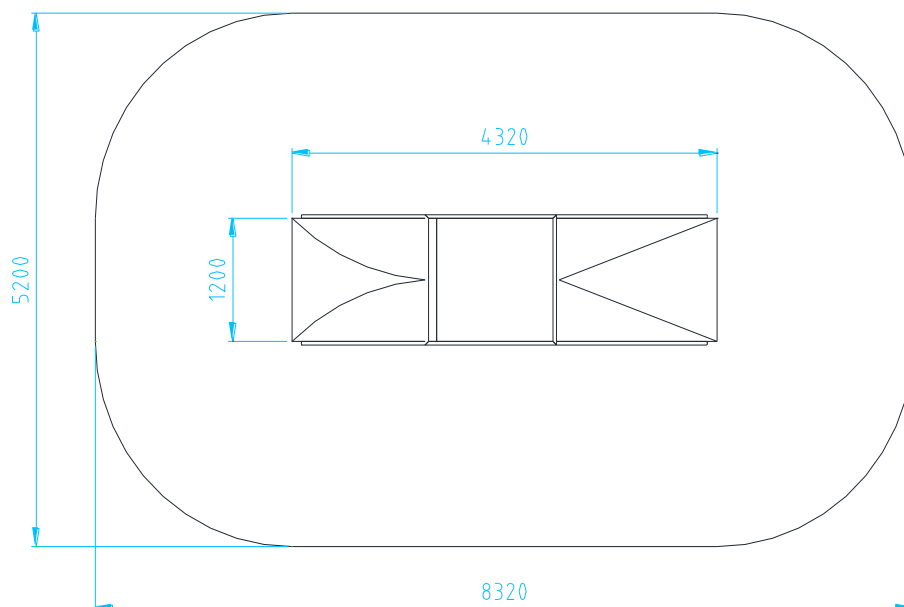




STAGE 1 – Preparatory work

- Secure the assembly site to keep others at a distance
- Set the construction in a designated place having regard to required impact area.

Spacing of the concrete elements:



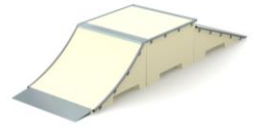
WARNING!

Installation shall be performed in accordance to safety & health standards

STAGE 2 – Assembly of the construction

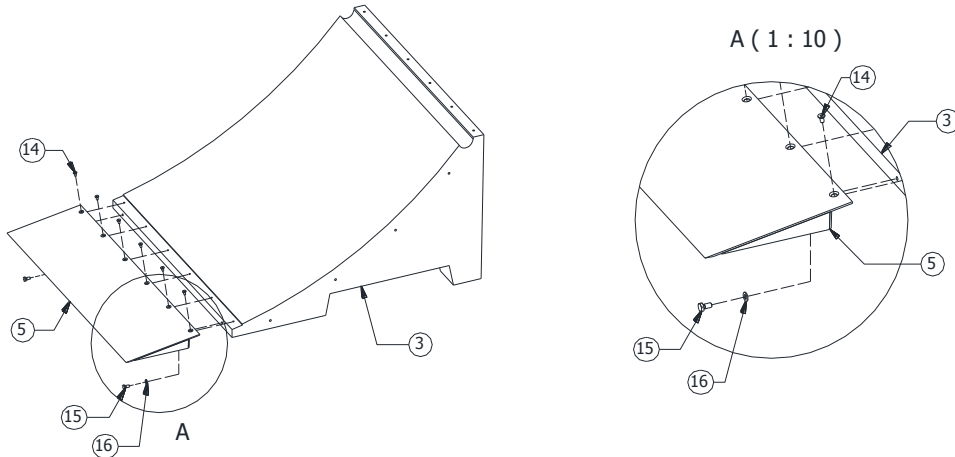
1. List of components

No.	Name of component	Dimension	Qty	Norm
1	Box 700 2S	1200x1200x700	1	160070.02S
2	Bank 600		1	151260.00S
3	Coping 700		1	111270.00C
4	Stainless steel toe plate for Bank	250x1200	1	SN.250.000
5	Stainless steel toe plate Ramp	350x1200	1	SN.350.000
6	Side rail for Bank 600		2	SP.BK.001
7	Coping for Ramp 700		1	SP.RP.003
8	Side rail for Ramp 700		2	SP.RP.005
9	Upper rail for Box		1	SP.BX.001
10	Side rail for Box-Ramp		1	SP.BX.005 R
11, 12	Side rail for Box-Ramp		1	SP.BX.005 L
13	Countersunk screw	M10 x 20	18	DIN 7991
14	Countersunk screw - torx	TX45 - M8x16	12	ISO 14581
15	Hexagon head screw	M10 x 25	30	DIN 933
16	Washer	Ø30xØ10,5x2,5 (M10)	30	DIN 9021
17	Expansion bolt	Ø10x80	4	

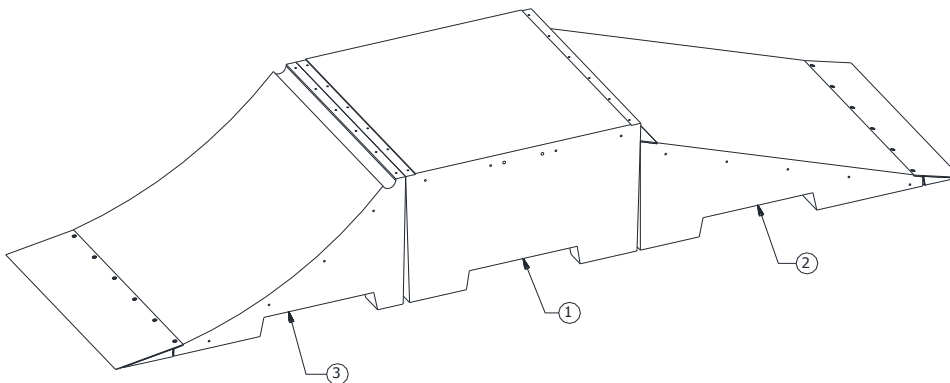


2. Assembly scheme

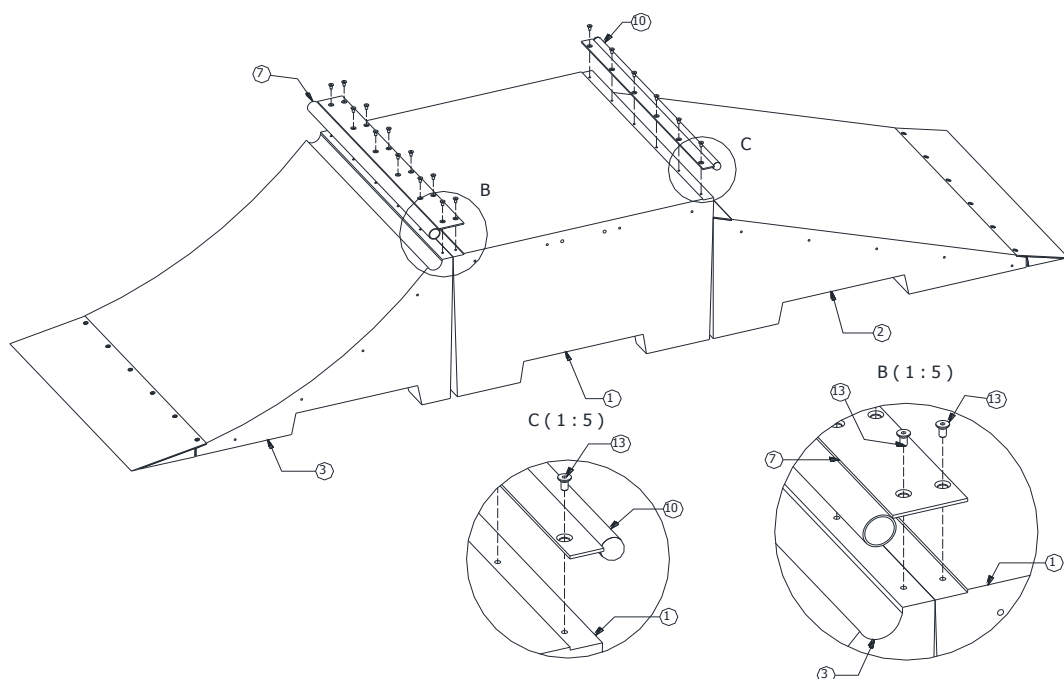
- Screw the toe steel plate (point 5) to the Ramp 700 (point 3) by using screws of point. 14, 15 and washer (point 16). In the same way, screw the steel toe plate (point 4) to the Bank 600 (point 2) with the screws (point 14, 15 and 16).

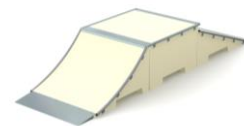


- Place the concrete elements according to the illustration below:

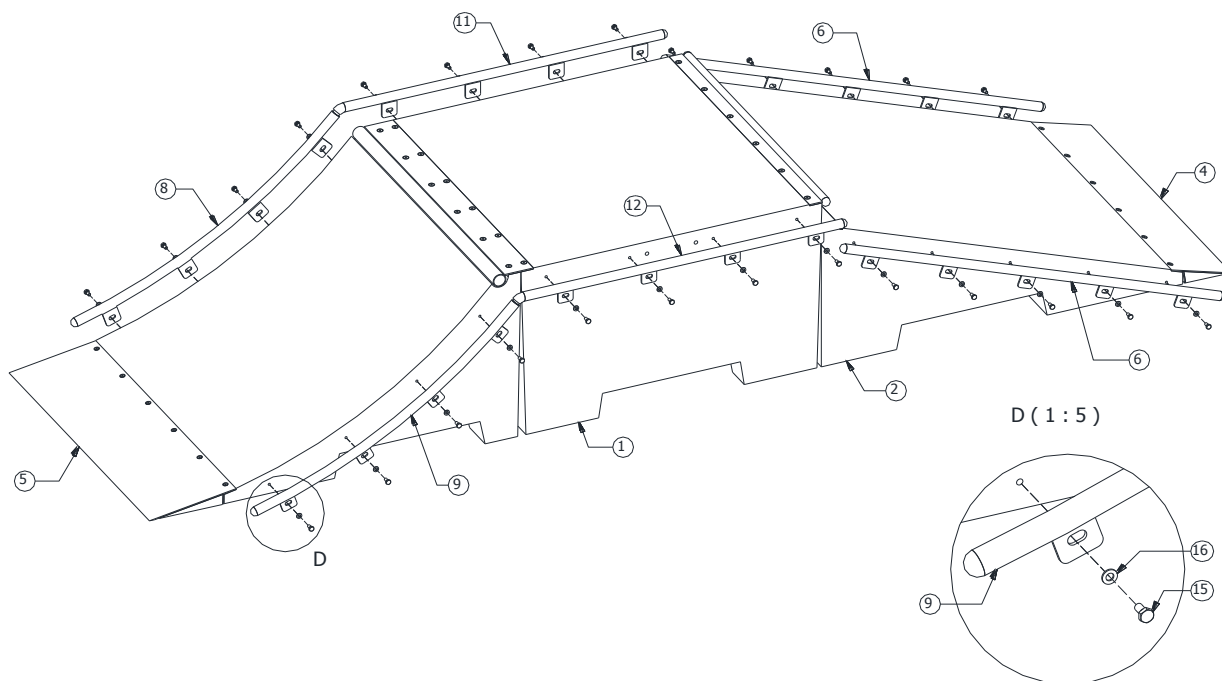


- Fix the copings of point 7 and 10 by screwing steel plates to the concrete with the screw of point 13





- Screw the rails of point 6, 8, 9, 11 and 12 to the concrete with screws of point 15 and 16.



- Fix the steel toe plates (point 4, 5) to the ground by using bolts of point 17.
- Remove the slacks in joints
- Put the statutory plate