



It shall apply from: **21-03-2018 r.**

**THE ASSEMBLY INSTRUCTION OF:
SKATEPRAK SET No. 8-980 (RAMP)
PRODUCT CODE: 100898**



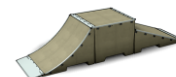
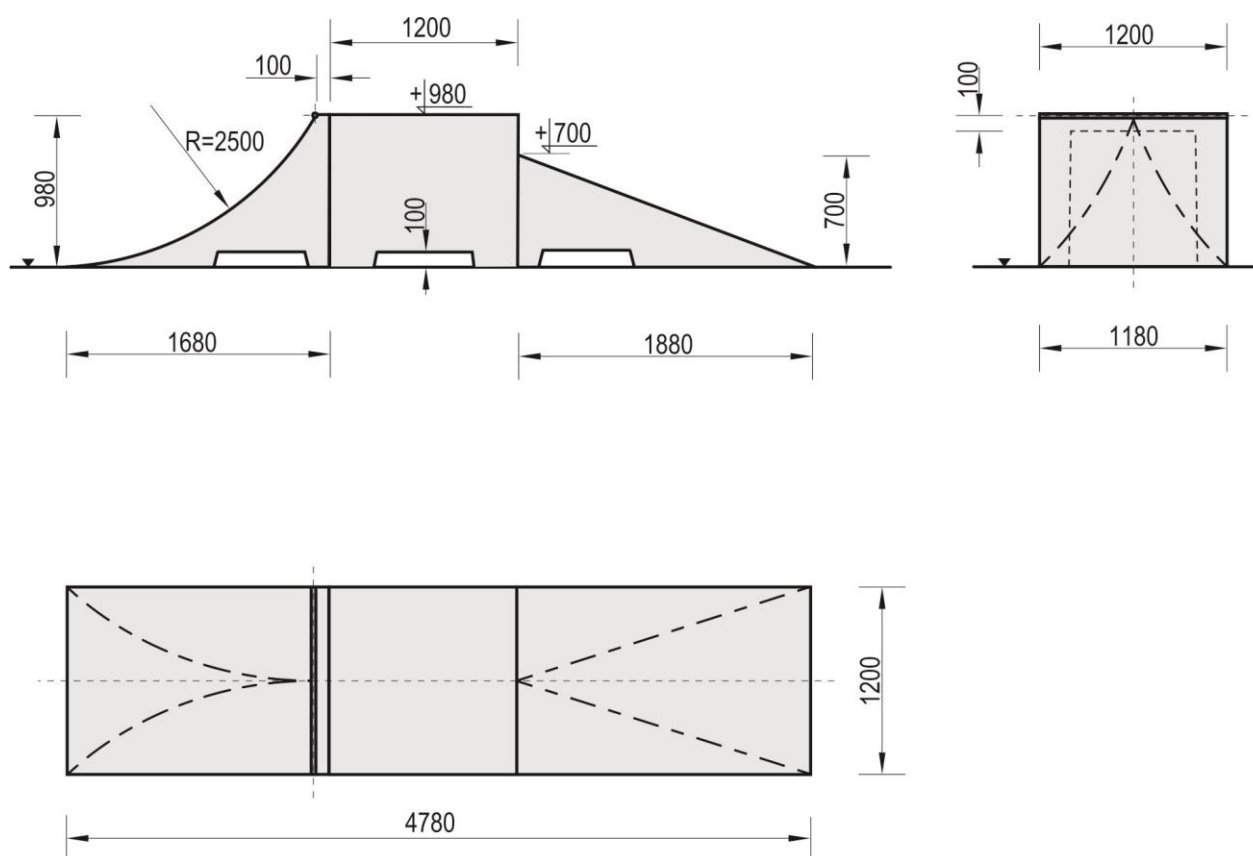


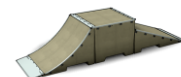
TABLE OF CONTENTS

I	
INTRODUCTION	2
ETAP 1 – Preparatory work	3
STAGE 2 – Assembly of the construction	3
1. List of components	3
2. Assembly scheme	4

INTRODUCTION

- Overall dimensions: 4,78 x 1,20 x 0,98m

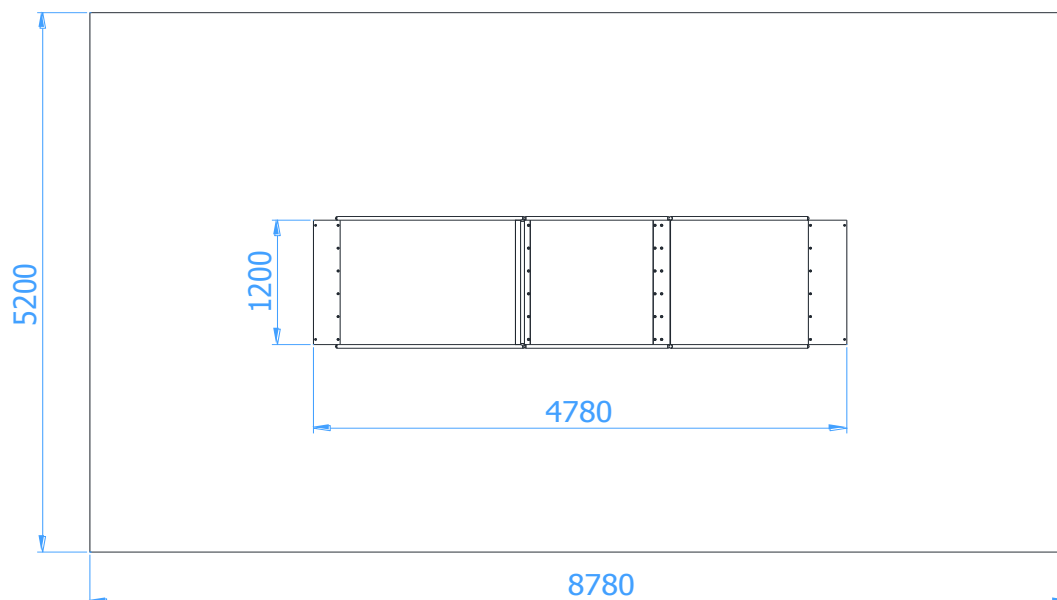




ETAP 1 – Preparatory work

- Secure the assembly site to keep others at a distance
- Set the construction in a designated place having regard to required impact area.

Spacing of the concrete elements:



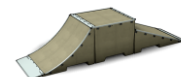
WARNING!

Installation shall be in accordance with safety & health standards

STAGE 2 – Assembly of the construction

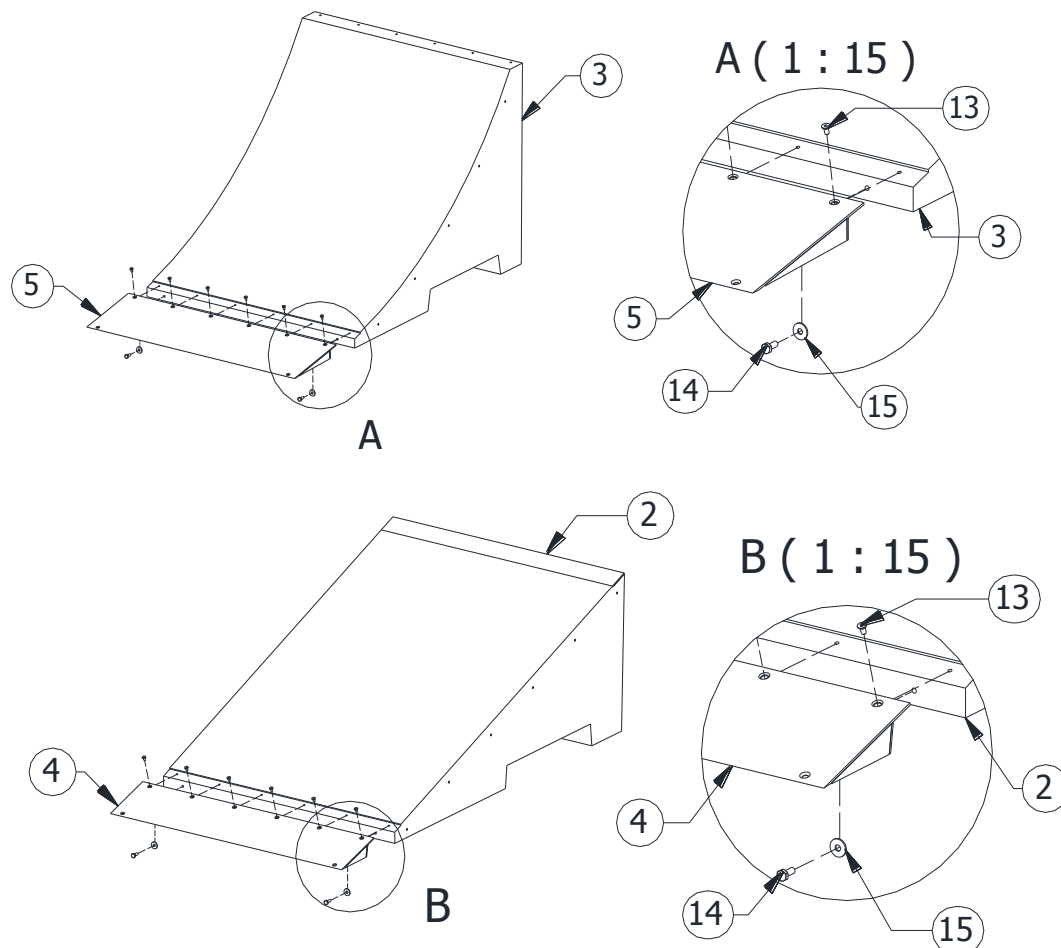
1. List of components

No.	Name of component	Dimension	Qty.	Norm
1	Box 980 2S	1200x1200x980	1	
2	Bank 700 free-standing		1	
3	Ramp 980		1	
4	Stainless steel plate	250x1200	1	SN.250.000
5	Stainless steel plate	350x1200	1	SN.350.000
6	Connector of Ramp and Box 980	1 200x155x5	1	SP.Ł.106
7	Coping for Box		1	SP.BX.001
8	Rail for Box-Ramp		1	SP.BX.005 L
9	Rail for Box-Ramp		1	SP.BX.005 R
10	Rail for Bank 700		2	SP.BK.002
11	Rail for Ramp 980		2	SP.RP.006
12	Screw	M10 x 20	18	DIN 7991
13	Screw torx	TX45 - M8 x 16	12	ISO 14581
14	Screw	M10 x 25	34	DIN 933
15	Washer	M10	34	DIN 9021
16	Plastic expansion bolt	Ø10x80	4	

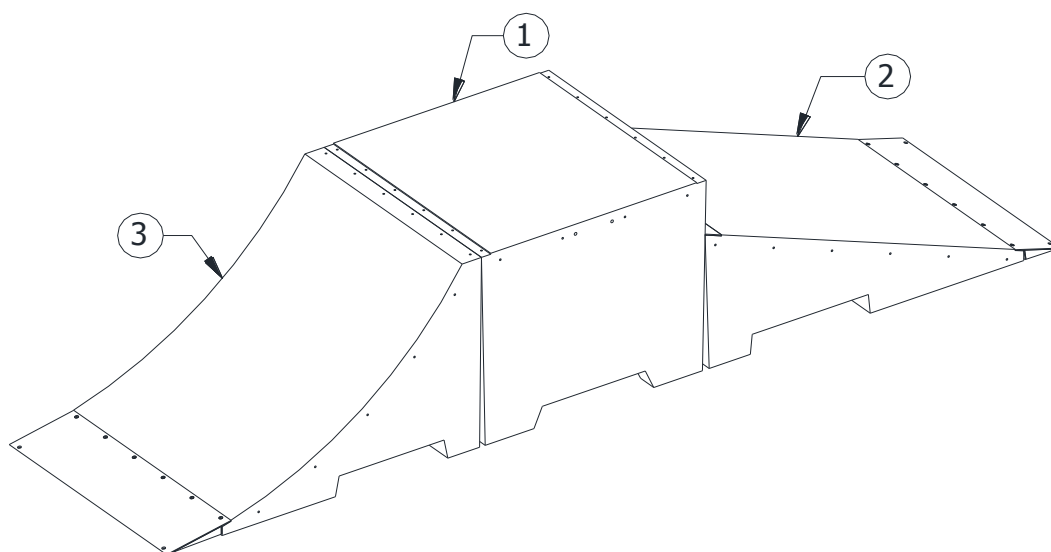


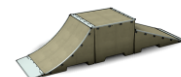
2. Assembly scheme

- Screw the stainless steel plate (point 5) to the Ramp (point 3) using screws of point. 13, 14 and washer (point 15). In the same way, screw the stainless steel plate (point 4) to the Bank (point 2) with the screws (point 13, 14 and 15).

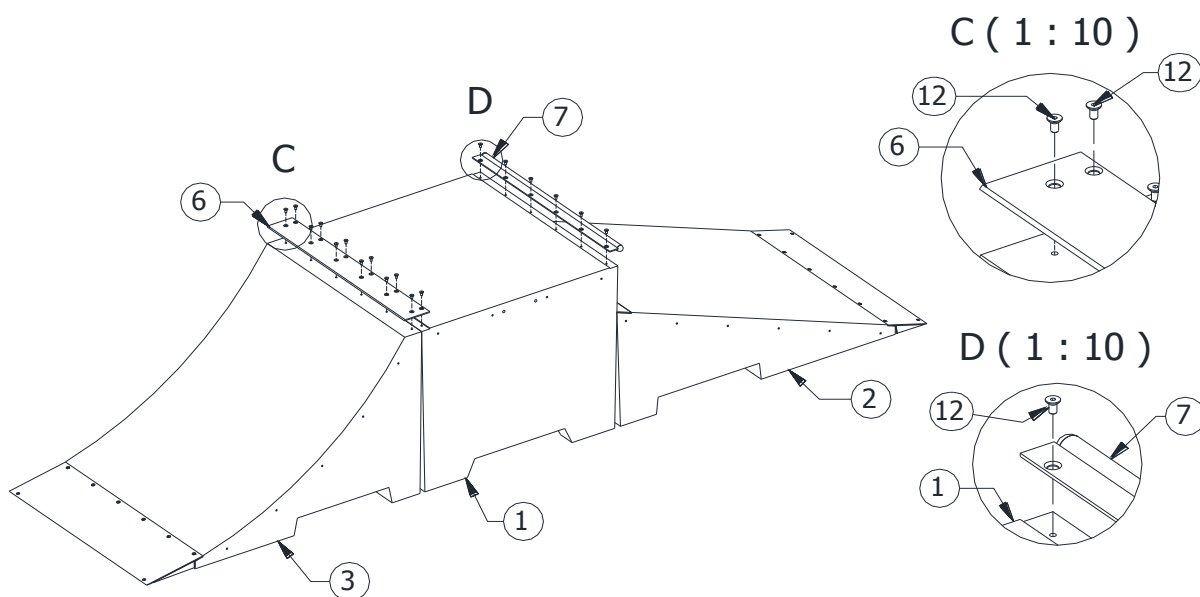


- Place the concrete elements according to the illustration below:

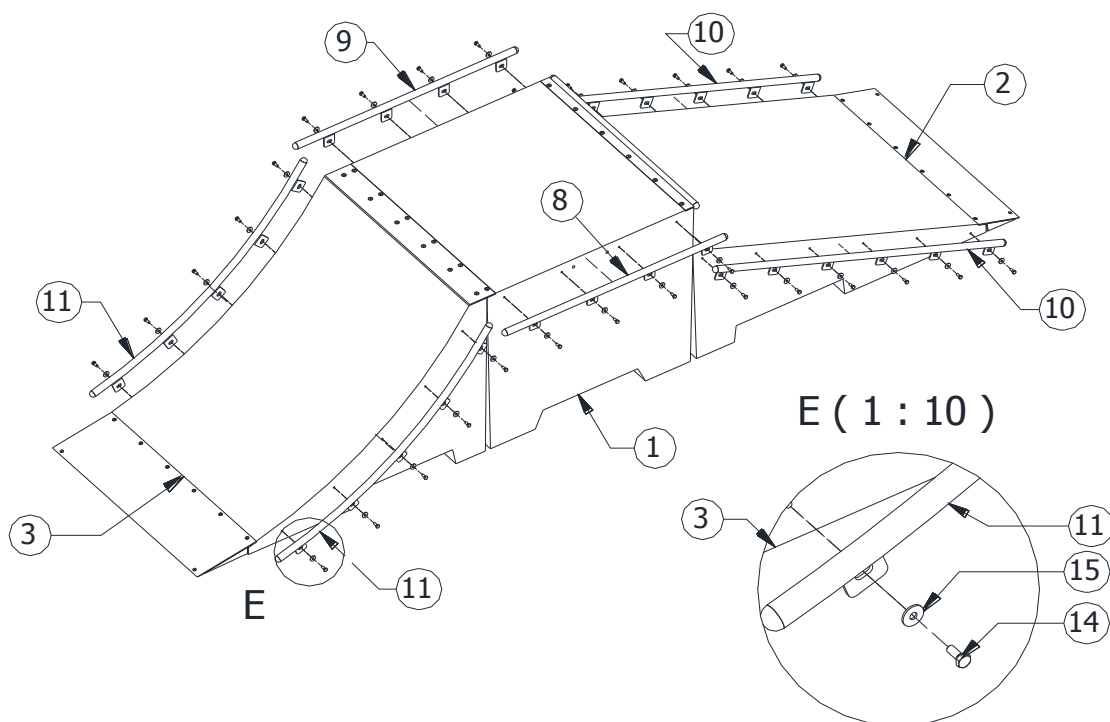




- Fix the elements of point 6 and 7 by screwing steel plates to the concrete with the screw of point 12



- Screw the rails of point 8, 9, 10 and 11 to the concrete with screws of point 14 and 15



- All stainless steel plates shall be fixed to the ground with plastic expansion bolts
- Remove the slacks in joints
- Put the statutory plate