



It shall apply from: **14-08-2017** r.

THE ASSEMBLY INSTRUCTION OF:
SKATEPRAK SET No. 20
PRODUCT CODE: **102098**



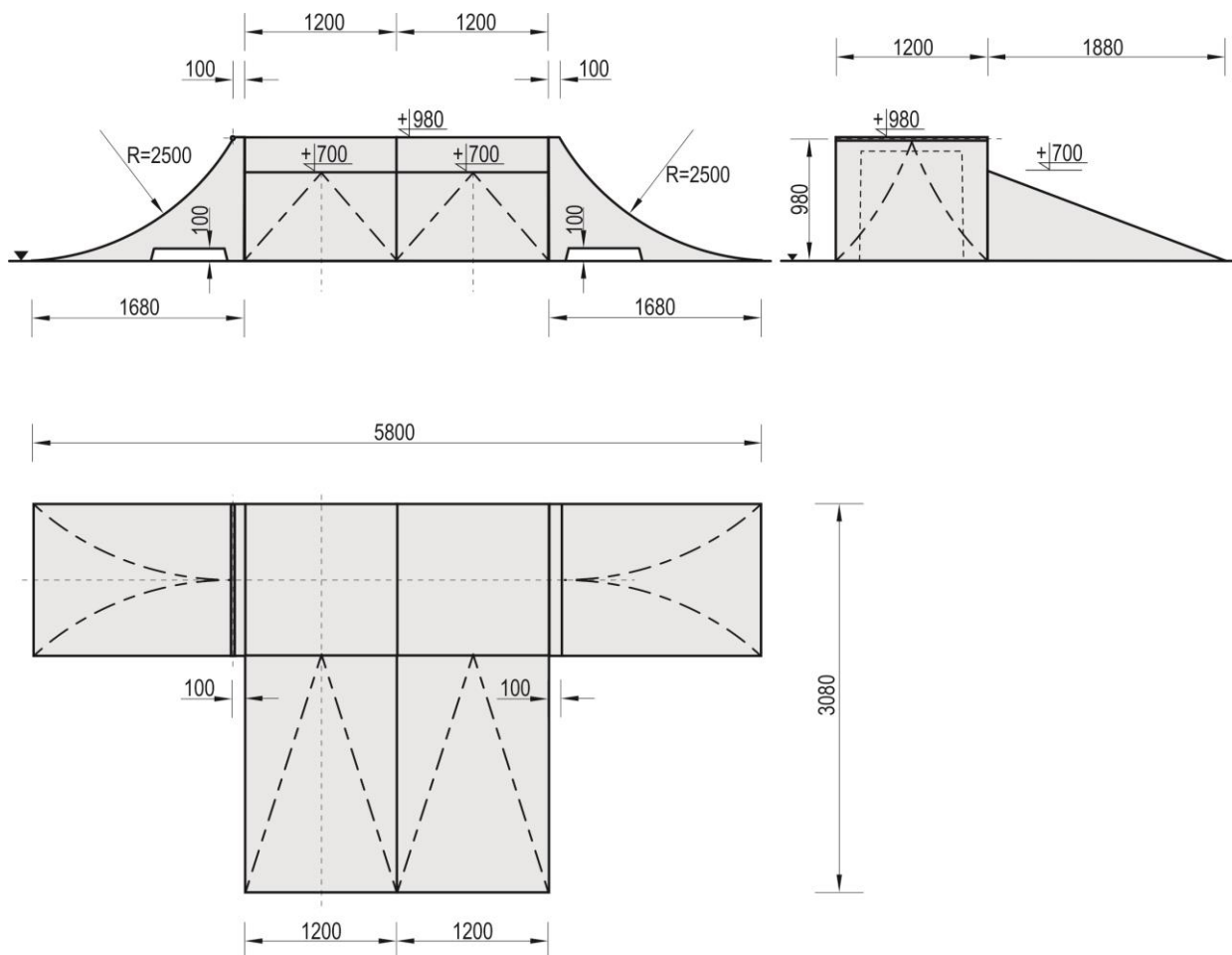


TABLE OF CONTENTS

INTRODUCTION	2
STAGE 1 – Preparatory work	3
STAGE 2 – Assembly of the construction	3
1. List of components	3
2. Assembly scheme	4

INTRODUCTION

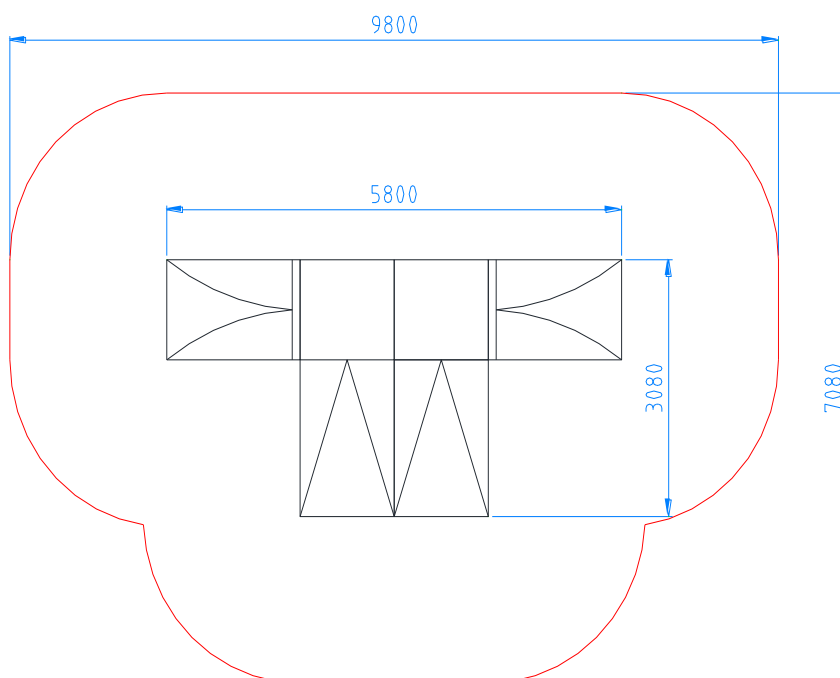
- Overall dimensions: 5,80 x 3,08 x 0,98m





STAGE 1 – Preparatory work

- Secure the assembly site to keep others at a distance
- Set the construction in a designated place having regard to required impact area.



WARNING!

Installation shall be performed in accordance with safety & health standards

STAGE 2 – Assembly of the construction

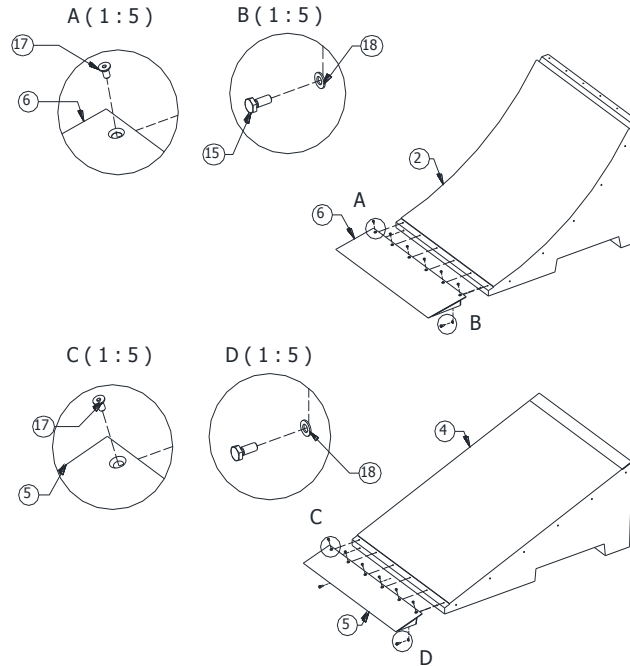
1. List of components

NO.	NAME OF COMPONENT	DIMENSIONS	QTY.	NORM
1	Box 980 2S	1200x1200x980	2	160098.02S
2	Coping 980		1	111298.00C
3	Ramp 980		1	111298.00R
4	Bank 700 standalone		2	151270.00S
5	Stainless steel toe plate for Bank	250x1200	2	SN.250.000
6	Stainless steel toe plate for Ramp	350x1200	2	SN.350.000
7	Coping for Ramp		1	SP.RP.001
8	Connector of Ramp-Box 980	1 200x155x5	1	SP.Ł.106
9	Side rail for Box-Ramp		2	SP.BX.005 A
10	Side rail for Box-Ramp		2	SP.BX.005 B
11, 12	Side rail for Ramp 980		4	SP.RP.006
13	Side rail for Bank 700		2	SP.BK.002
14	Sheet metal connector for Box-Box	100x1200x5	1	SP.Ł.100
15	Hexagon head screw	M10 x 25	56	DIN 933
16	Countersunk screw	M10 x 20	36	DIN 7991
17	Countersunk screw - torx	TX45 - M8x16	24	ISO 14581
18, 19	Washer	Ø30xØ10,5x2,5 (M10)	56	DIN 9021
20	Expansion bolt	Ø10x80	8	

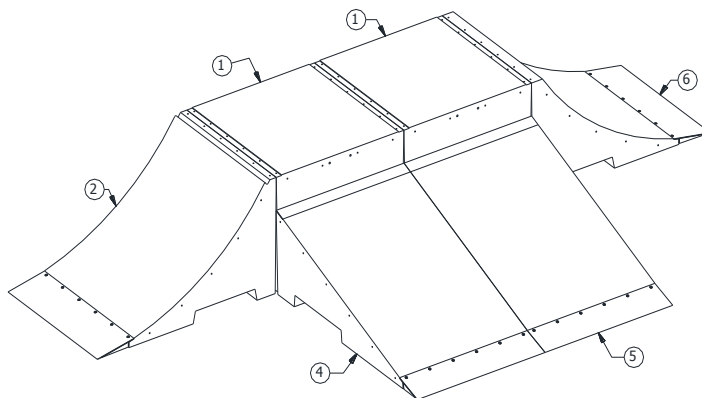


2. Assembly scheme

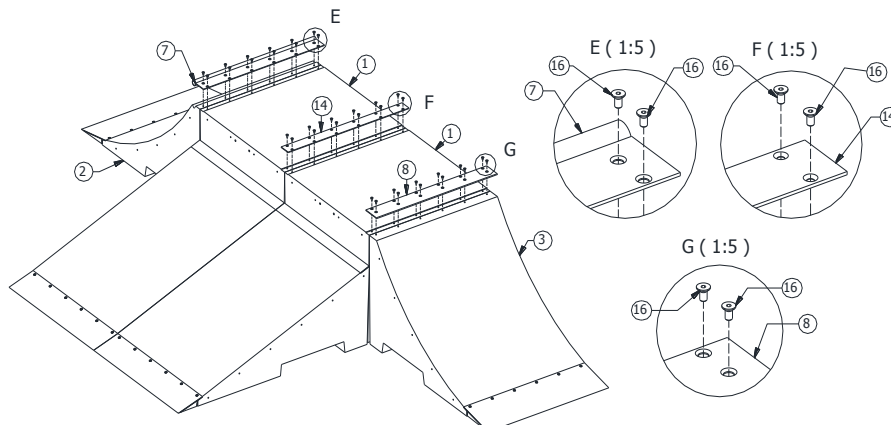
- Screw the steel toe plates (point 6) to the Ramps (point 2) by using items of point 15, 17, 18
- Screw the steel toe plates (point 5) to the Banks (point 4) by using items of point 15, 17, 18



- Place the concrete elements according to the illustration below:

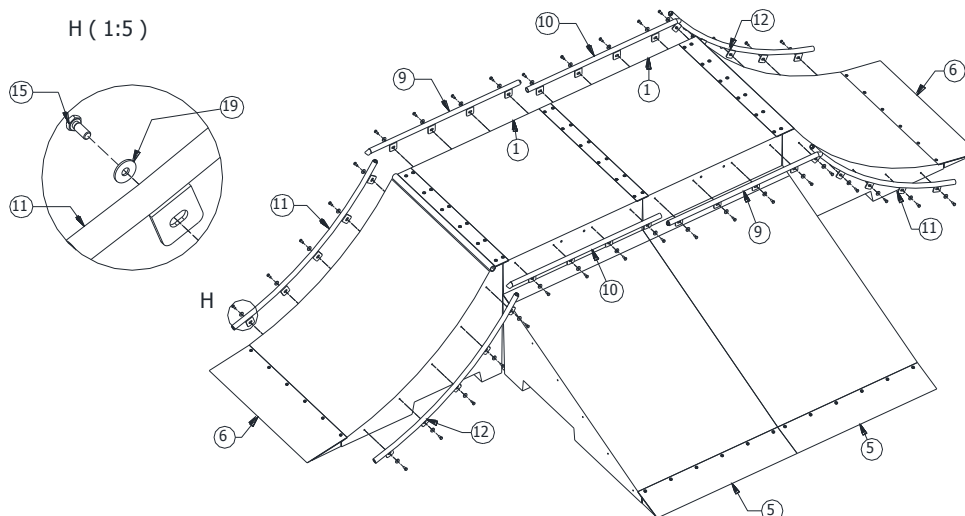


- Connect upper surfaces of the concrete elements (point 1, 2, 3) by using sheet metal connectors (point 7, 8 and 14) and countersunk screws of point 16.

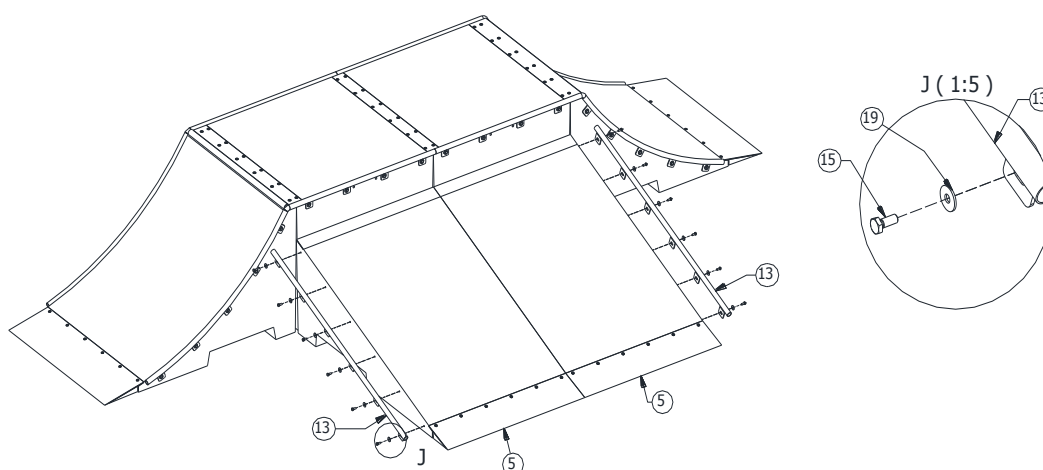




- Screw the side rails (point 9, 10, 11, 12) to the concrete elements (point 1, 2, 3) by using screws and washers of point 15 and 19.



- Screw the side rails (point 13) to the Banks (point 4) by using screws and washers of point 15 and 19.



- Fix the steel toe plates to the ground by using bolts of point 20.
- Remove the slacks in joints
- Put the statutory plate