



It shall apply from: **07-06-2019** r.

THE ASSEMBLY INSTRUCTION OF:
SKATEPRAK SET No. 21
PRODUCT CODE: **102170**



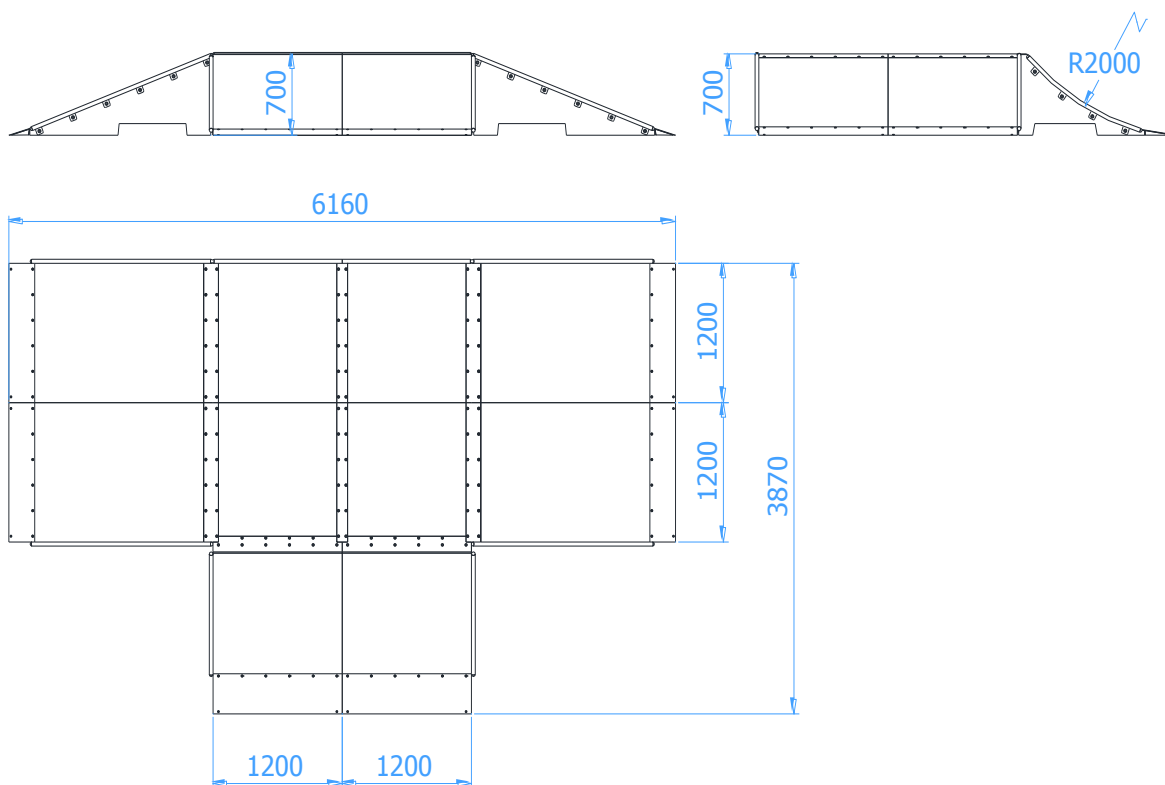


TABLE OF CONTENTS

INTRODUCTION	2
STAGE 1 – Preparatory work – safety zone	3
STAGE 2 – Assembly of the construction	4
1. List of components	4
2. Assembly scheme	4

INTRODUCTION

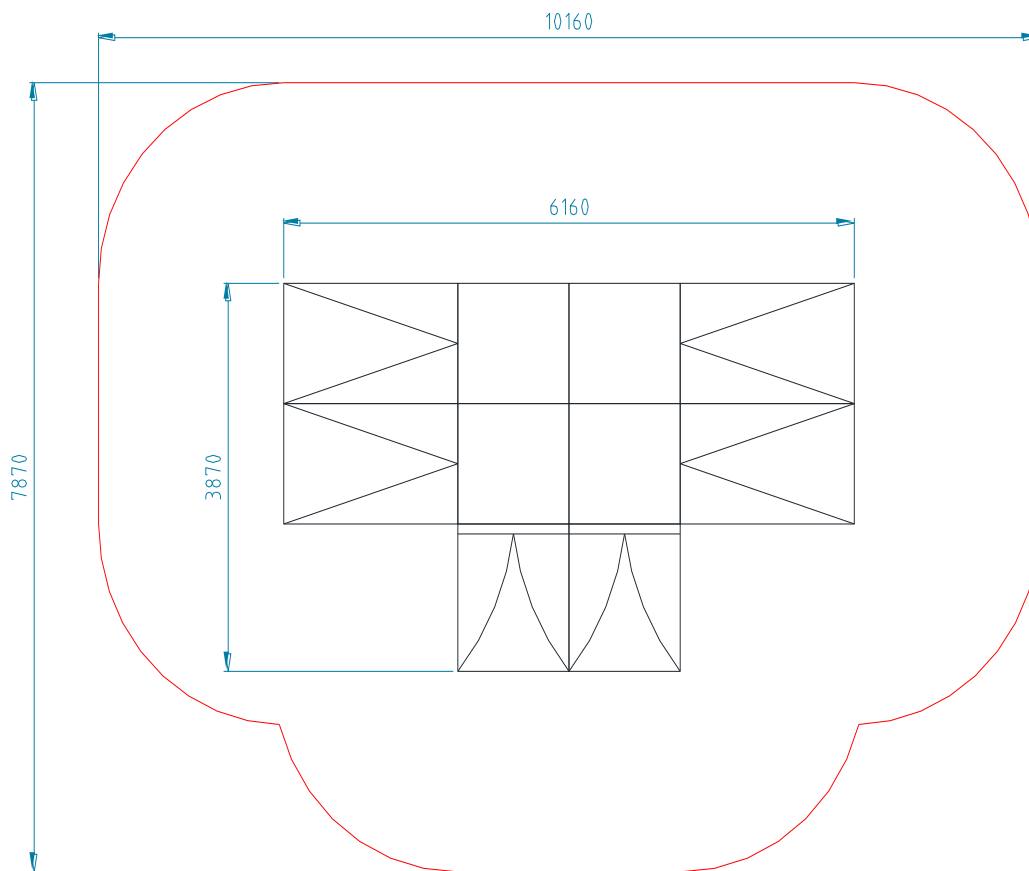
- Overall dimensions: 6,16 x 3,87 x 0,70 m





STAGE 1 – Preparatory work – safety zone

- Secure the assembly site to keep others at a distance
- Set the construction in a designated place having regard to required impact area.



WARNING!
Installation shall be performed in accordance with safety & health standards



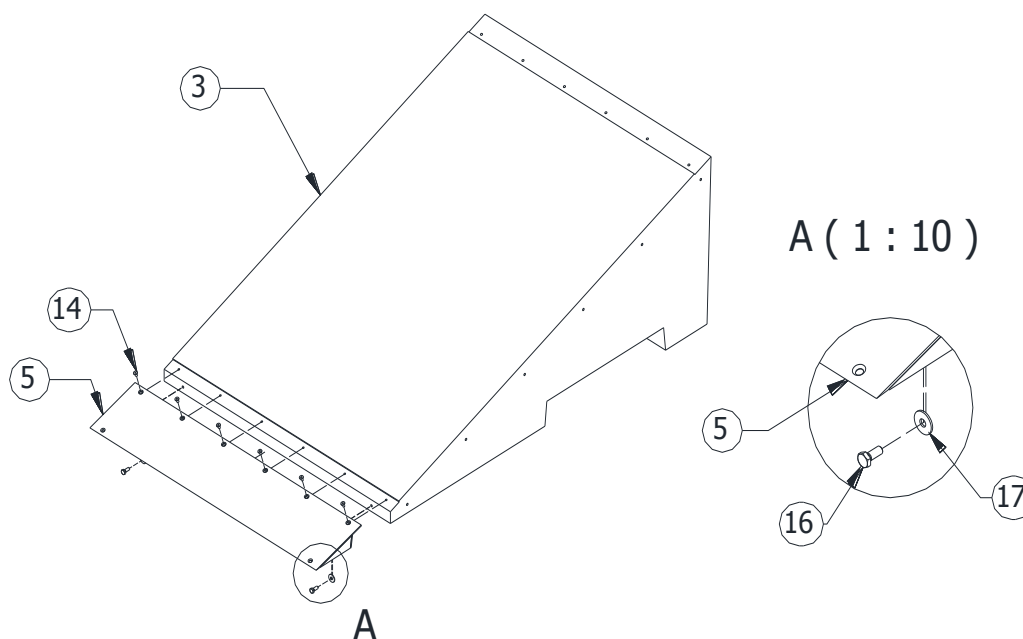
STAGE 2 – Assembly of the construction

1. List of components

No	Name of component	Dimensions	Qty.	Norm
1	Box 700 2S	1200x1200x700	2	
2	Box 700 3S	1200x1200x700	2	
3	Bank 700		4	
4	Ramp 700		2	
5	Stainless steel toe plate for Bank	250x1200	4	SN.250.000
6	Stainless steel toe plate for Ramp	350x1200	2	SN.350.000
7	Sheet metal connector of Box and Box	100x1200x5	2	SP.Ł.100
8	Sheet metal connector of Bank and Box	139x1200x5	4	SP.Ł.101
9	Sheet metal connecting Ramp and Box 700	1 200x145x5	2	SP.Ł.105 LR
10	Side rail for Bank 700		4	SP.BK.002
11	Side rail for Ramp 700		2	SP.RP.005
12	Side rail for Box		1	SP.BX.004 L
13	Side rail for Box		1	SP.BX.004 R
14	Countersunk screw - Torx	TX45 – M8x16	36	ISO 14581
15	Countersunk screw	M10 x 20	92	DIN 7991
16	Countersunk screw	M10 x 25	52	DIN 933
17	Washer	Ø30xØ10,5x2,5 (M10)	52	DIN 9021
18	Plastic expansion bolt	Ø10x80	12	

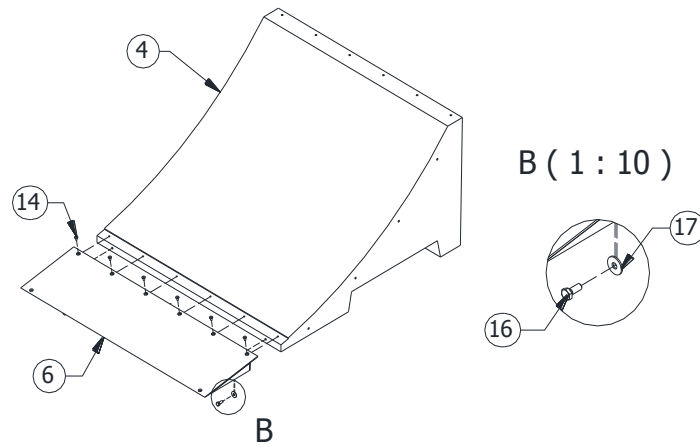
2. Assembly scheme

- Screw the steel toe plates (point 5) to the Banks (point 3) by using screws and washers of point 14, 16 and 17.

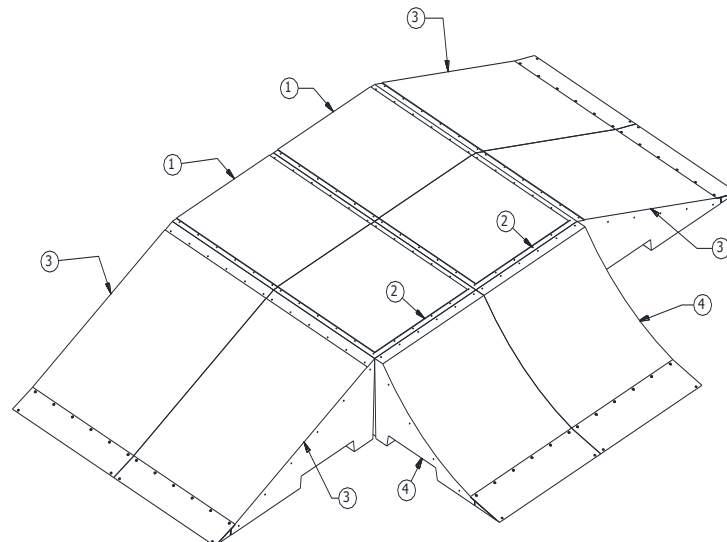




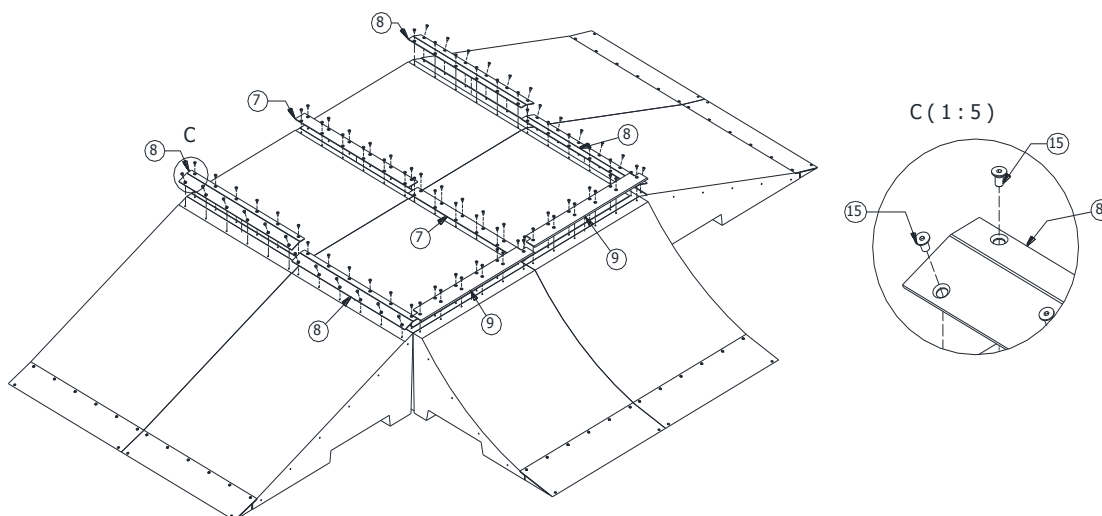
- Screw the steel toe plates (point 6) to the Ramps (point 4) by using screws and washers of point 14, 16 and 17.



- Place the concrete elements according to the illustration below:



- Connect upper surfaces of the concrete elements by using sheet metal connectors (point 7,8 and 9) and countersunk screws of point 15.

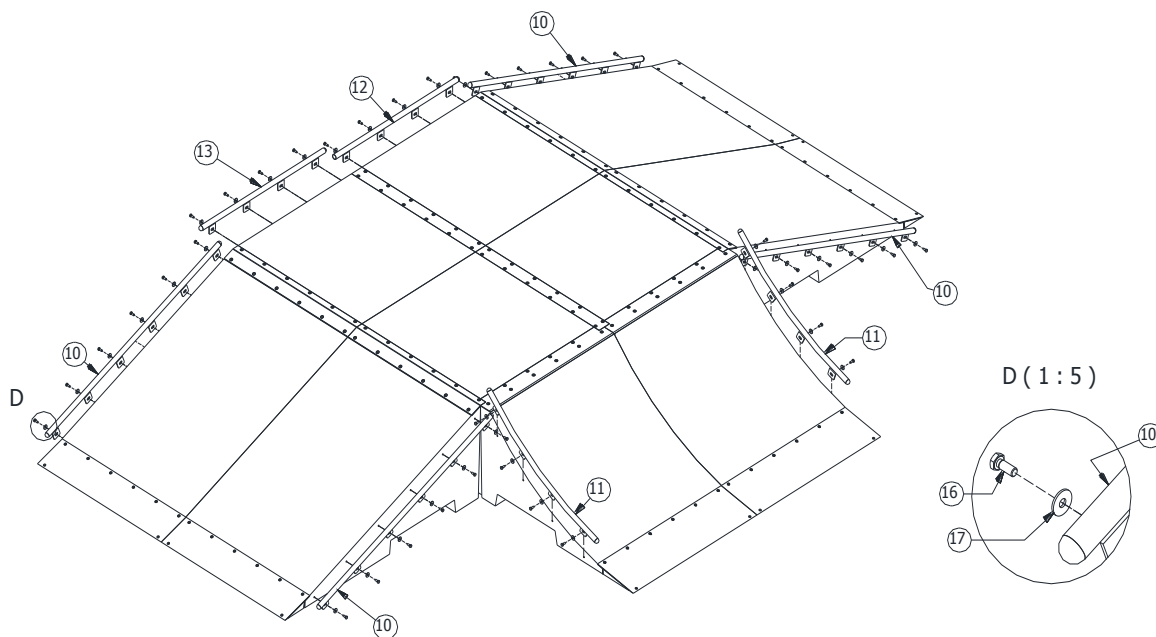


ASSEMBLY INSTRUCTION

Product code: 102170 Skatepark set no. 21



- Screw the side rails (point 10, 11, 12, 13) to the concrete by using screws and washers of point 16 and 17.



- All the corners of the steel toe plates shall be mounted to the ground with the extension bolts of point 18
- Remove the slacks in joints
- Put the statutory plate