



It shall apply from: **07-06-2019 r.**

**THE ASSEMBLY INSTRUCTION OF:
Fun-box 50
PRODUCT CODE: 105070**



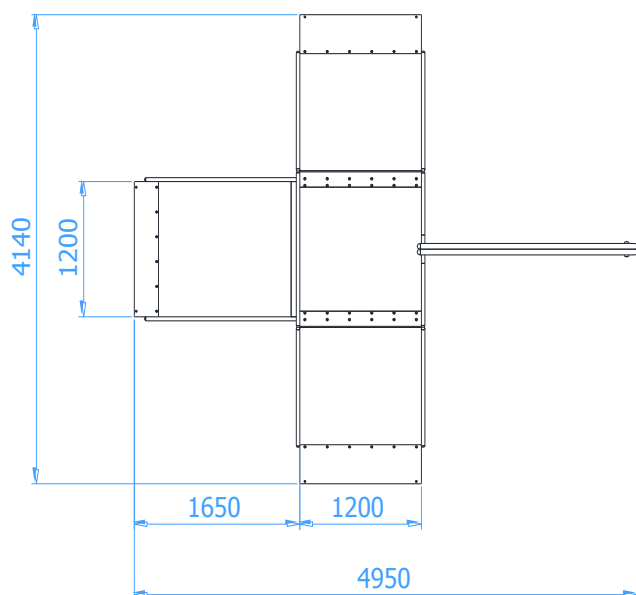
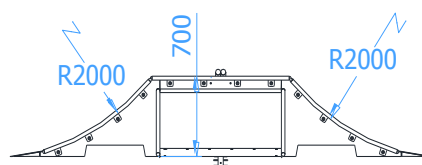
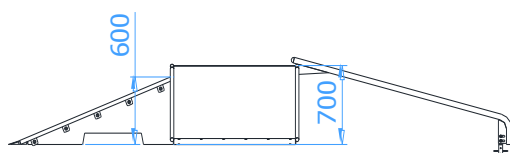


TABLE OF CONTENTS

INTRODUCTION	2
STAGE 1 – Preparatory works – safety zone	3
STAGE 2 – Assembly of the construction	4
1. List of components	4
2. Assembly scheme	5

INTRODUCTION

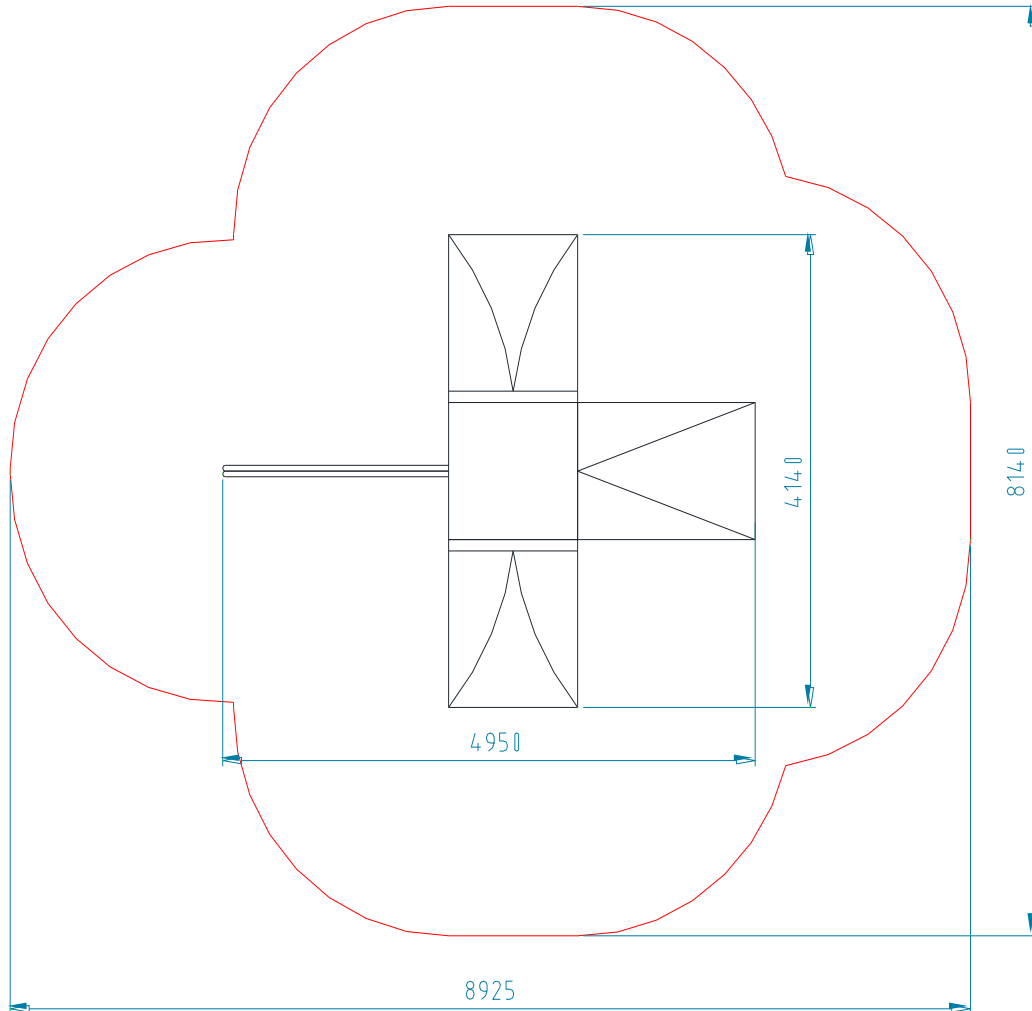
- Overall dimensions: 4,95 x 4,14 x 0,70 m





STAGE 1 – Preparatory works – safety zone

- Secure the assembly site to keep others at a distance
- Set the construction in a designated place having regard to required impact area.



WARNING!
Installation shall be performed in accordance with safety & health standards



STAGE 2 – Assembly of the construction

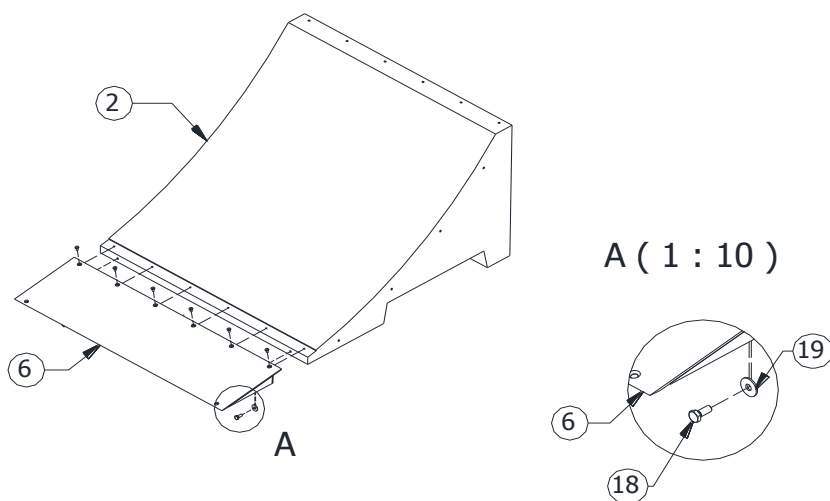
1. List of components

No	Name of component	Dimension	Qty.	Norm
1	Bank 600		1	
2	Ramp 700		2	
3	Box 700 2S	1200x1200x700	1	
4	Curb for box 700		1	132070.000
5	Frame of Curb for Box		1	SP.CFBJ.000
6	Stainless steel toe plate for Ramp	350x1200	2	SN.350.000
7	Stainless steel toe plate for Bank	250x1200	1	SN.250.000
8	Connector of Ramp and Box 700	1 200x145x5	2	SP.Ł.105
9	Side Rails for Bank 600		2	SP.BK.001
10	Side Rail for Box-Ramp		1	SP.BX.005 LR
11	Side Rail for Box-Curb-Ramp		1	SP.BX.006 RP
12	Side Rail for Box-Curb-Ramp		1	SP.BX.006 RL
13	Side Rail for Ramp 700		4	SP.RP.005
14	Countersunk screw-torx	M8 x 16	18	ISO 14581
15	Countersunk screw	M10 x 20	24	DIN 7991
16	Hexagon head screw	M16 x 25	2	DIN 933
17	Hexagon head screw	M12 x 80	2	DIN 931
18	Hexagon head screw	M10 x 25	40	DIN 933
19	Washer	Ø30xØ10,5x2,5 (M10)	40	DIN 9021
20	Washer	Ø24xØ13x2,5 (M12)	4	DIN 125
21	Washer	Ø50xØ17x3 (M16)	2	DIN 9021
22	Locknut	M12	2	DIN 985
23	Plastic Expansion Bolt	Ø10x80	6	

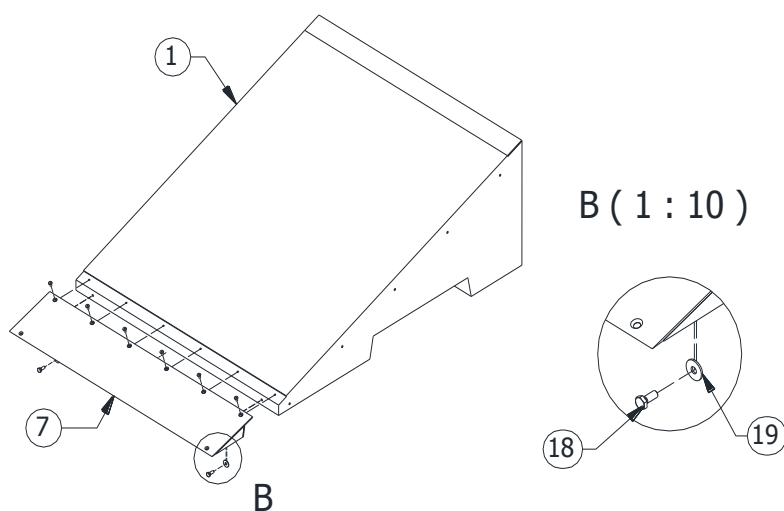


2. Assembly scheme

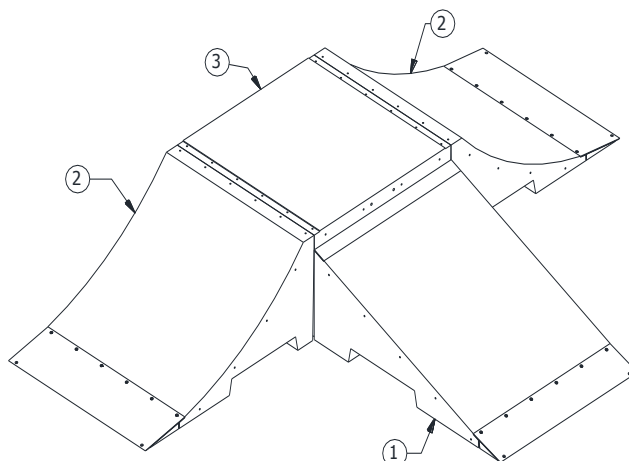
- Screw the stainless steel plates (point 6) to the Ramps (point 2) with the screws and washers of point 14, 18 i 19.



- Screw the steel toe plates (point 7) to the Banks (point 1) by using screws and washers of point 14, 18 i 19.

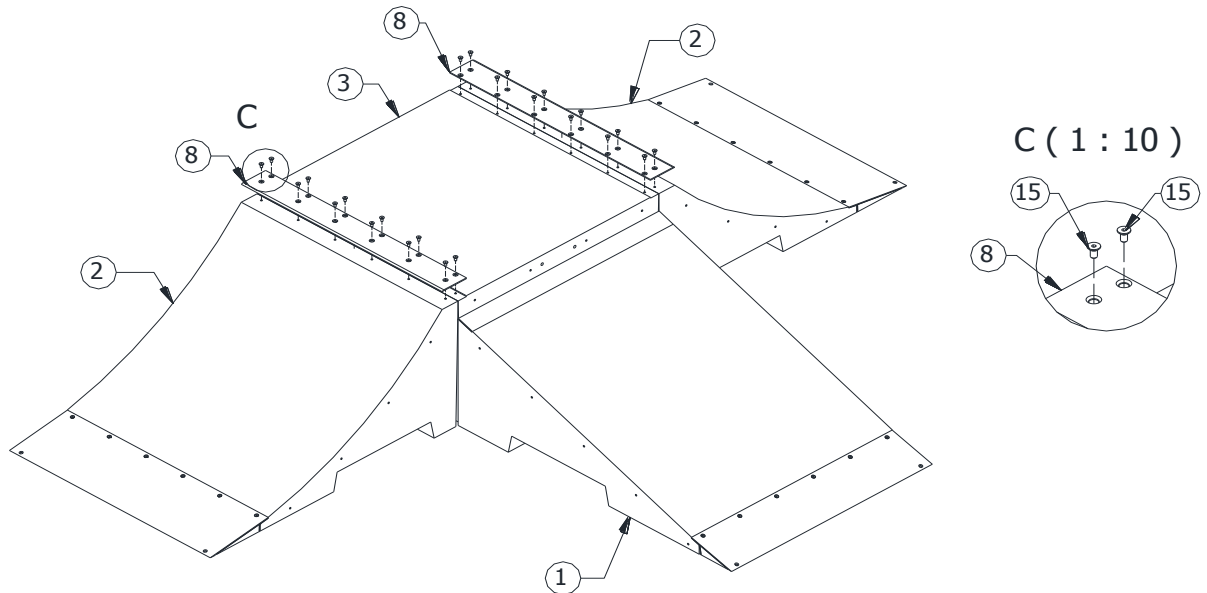


- Place the concrete elements according to the illustration below:

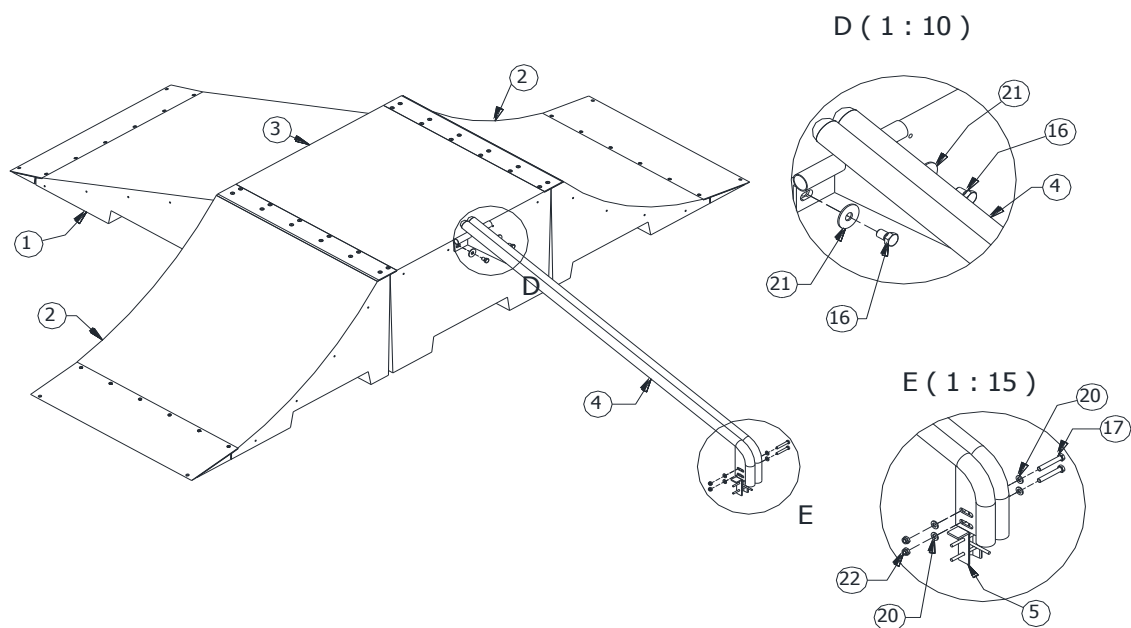




- Connect the upper surfaces of the concrete elements with steel plates (point 8) with the countersunk screws.

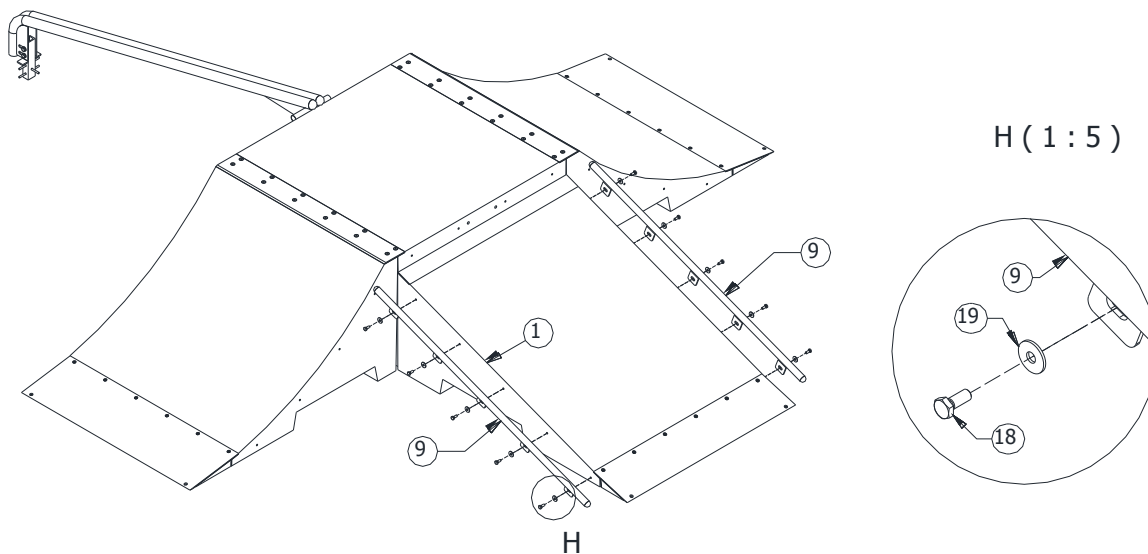


- To mount the Curbs (point 4 and 5), prepare holes in the ground in a designated place (about 2075mm from edges of the Box (point 3). Pour concrete for frame of Curb for Box (point 5). Screw the Curb (point 4) to the Box (point 3) with screw and washer of point 16 and 21. Screw the lower end of the Curb (point 4) to the frame (point 5) by using screws and washer of point 17, 20 and 22.
- Screw the Rail to the Box (point 2) by using screw and washer of point 19 and 23.

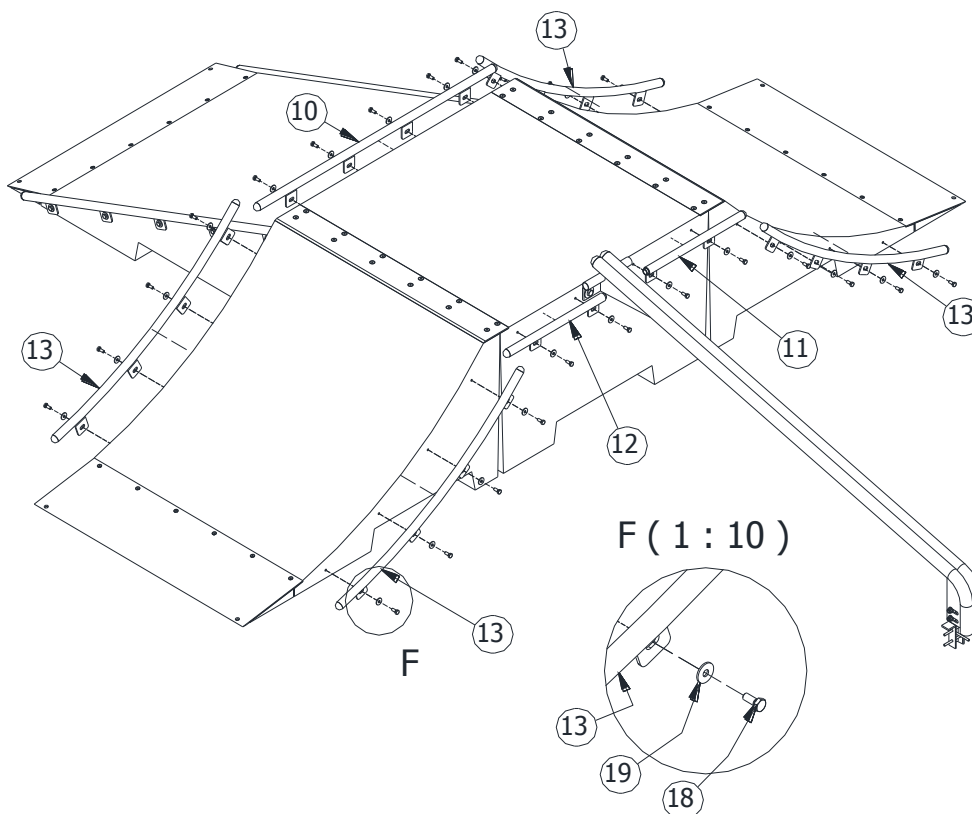




- Mount the side rails (point 9) to the Bank (point 1) with screws and washers of point 18 and 19



- Install the side rails (point 10, 11, 12, 13) with the screws and washers of point 18 and 19.



- All the corners of the steel toe plates (point 6 and 7) shall be mounted to the ground with the extension bolts of point 23.
- Remove the slacks in joints
- Put the statutory plate