



It shall apply from: **07-06-2019** r.

**THE ASSEMBLY INSTRUCTION OF:
Fun-box 50
PRODUCT CODE: 105098**



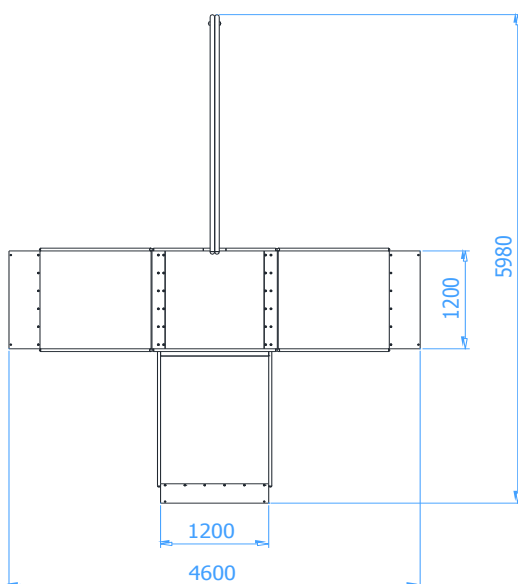
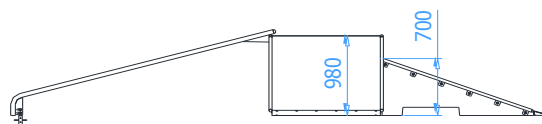
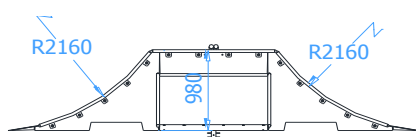


TABLE OF CONTENTS

INTRODUCTION	2
STAGE 1 – Preparatory works – safety zone	3
STAGE 2 –Assembly of the construction	3
1. List of components	3
2. Assembly scheme	4

INTRODUCTION

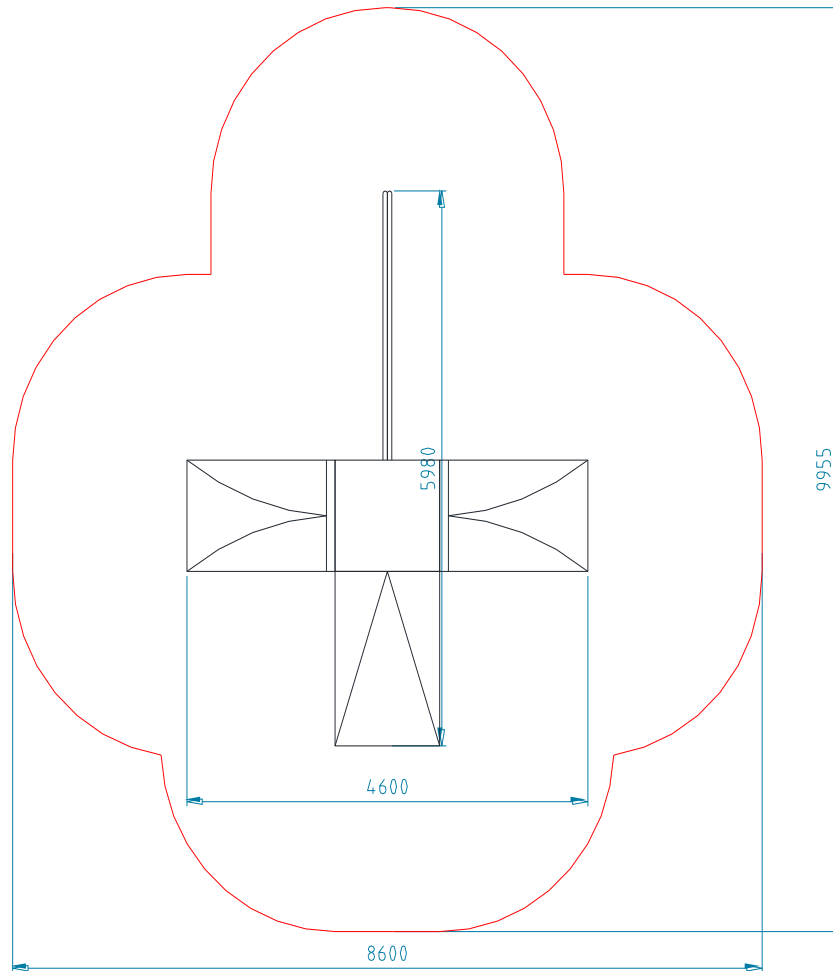
- Overall dimensions: 4,60 x 5,98 x 0,98 m





STAGE 1 - Preparatory works - safety zone

- Secure the assembly site to keep others at a distance
- Set the construction in a designated place having regard to required impact area.



WARNING!

Installation shall be performed in accordance with safety & health standards

STAGE 2 -Assembly of the construction

1. List of components

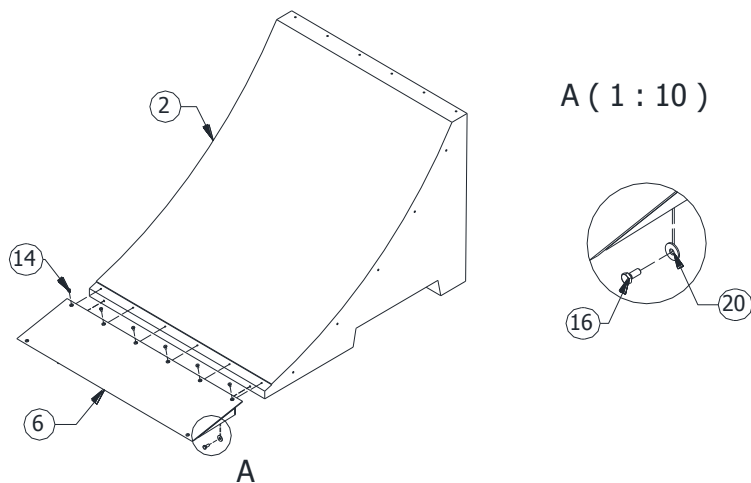
No	Name of component	Dimension	Qty.	Norm
1	Box 980 2S	1200x1200x980	1	
2	Ramp 980		2	
3	Bank 700 free-standing		1	
4	Curb for box 980		1	132098.000
5	Frame of Curb for Box		1	SP.CFBJ.000
6	Stainless steel toe plate for Ramp	350x1200	2	SN.350.000
7	Stainless steel toe plate for Bank	250x1200	1	SN.250.000
8	Connector of Ramp and Box 980	1 200x155x5	2	SP.Ł.106
9	Side rail for Ramp 980		4	SP.RP.006
10	Side rail for Box-Ramp		1	SP.BX.005 LR
11	Side rail for Box-Curb-Ramp		1	SP.BX.006 RP



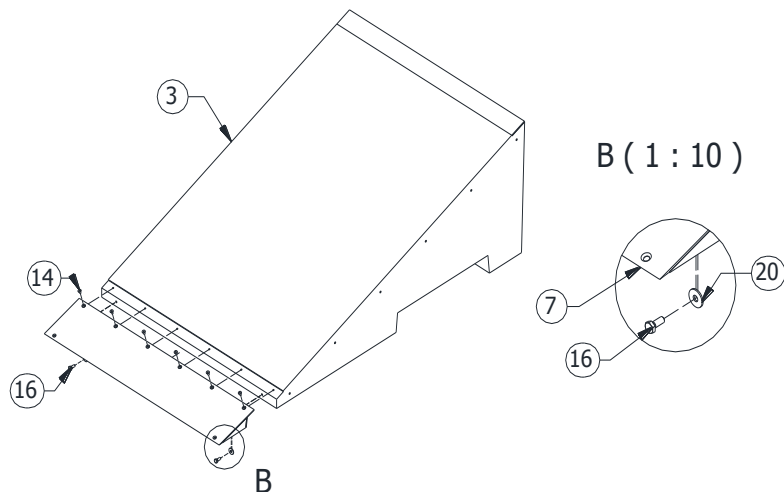
12	Side rail for Box-Curb-Ramp		1	SP.BX.006 RL
13	Side rail for Bank 700		2	SP.BK.002
14	Countersunk screw-torx	M8 x 16	18	ISO 14581
15	Countersunk screw	M10 x 20	24	DIN 7991
16	Hexagon head screw	M10 x 25	46	DIN 933
17	Hexagon head screw	M12 x 80	2	DIN 933
18	Hexagon head screw	M16 x 25	2	DIN 933
19	Locknut	M12	2	DIN 985
20	Washer	Ø30xØ10,5x2,5 (M10)	46	DIN 9021
21	Washer	Ø24xØ13x2,5 (M12)	4	DIN 125
22	Washer	Ø50xØ17x3 (M16)	2	DIN 9021
23	Plastic Expansion Bolt	Ø10x80	6	

2. Assembly scheme

- Screw the steel toe plates (point 6) to the Tamps (point 2) with screws and washers of point 14, 16, and 20.

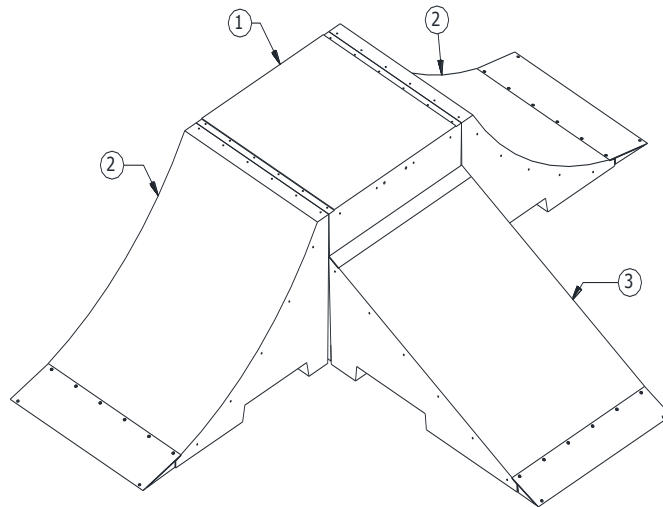


- Screw the steel toe plates (point 7) to the Banks (point 3) with screws and washers of point 14, 16 and 20.

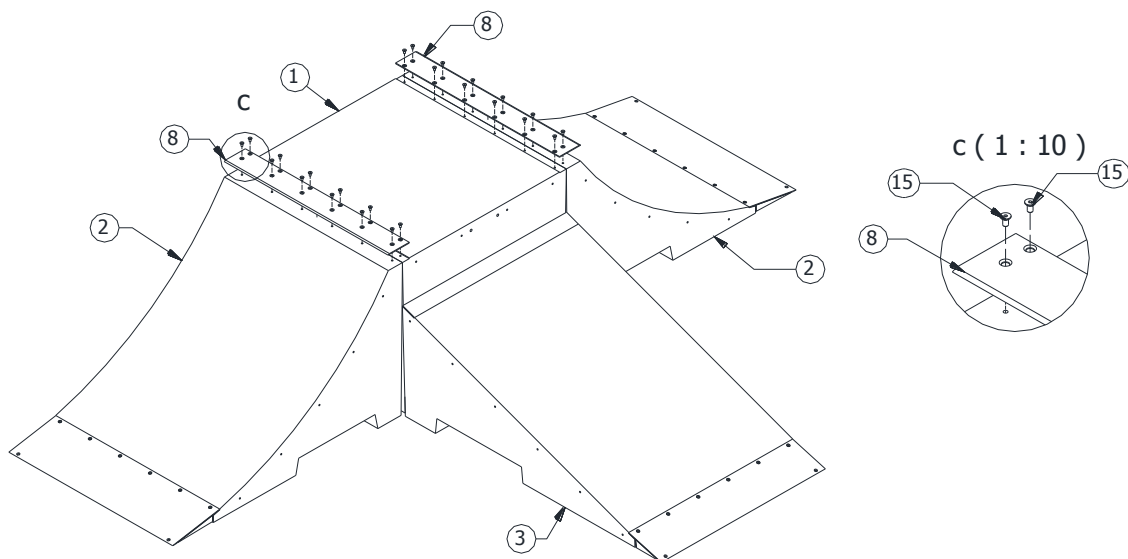




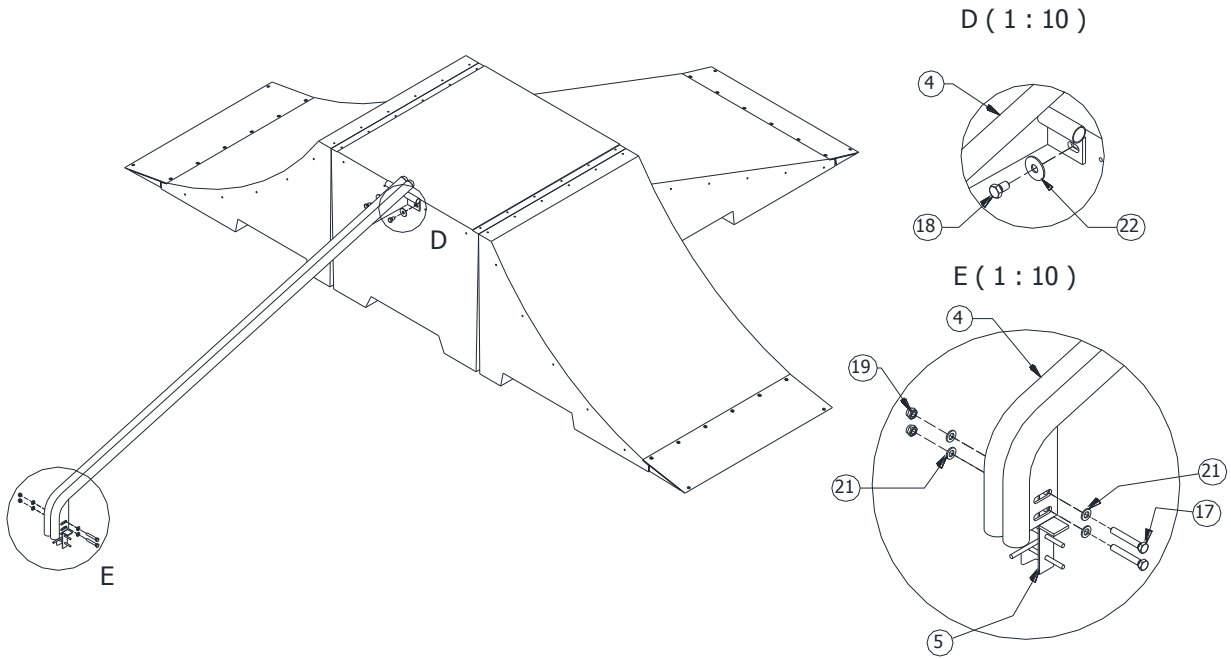
- Place the concrete elements according to the illustration below:



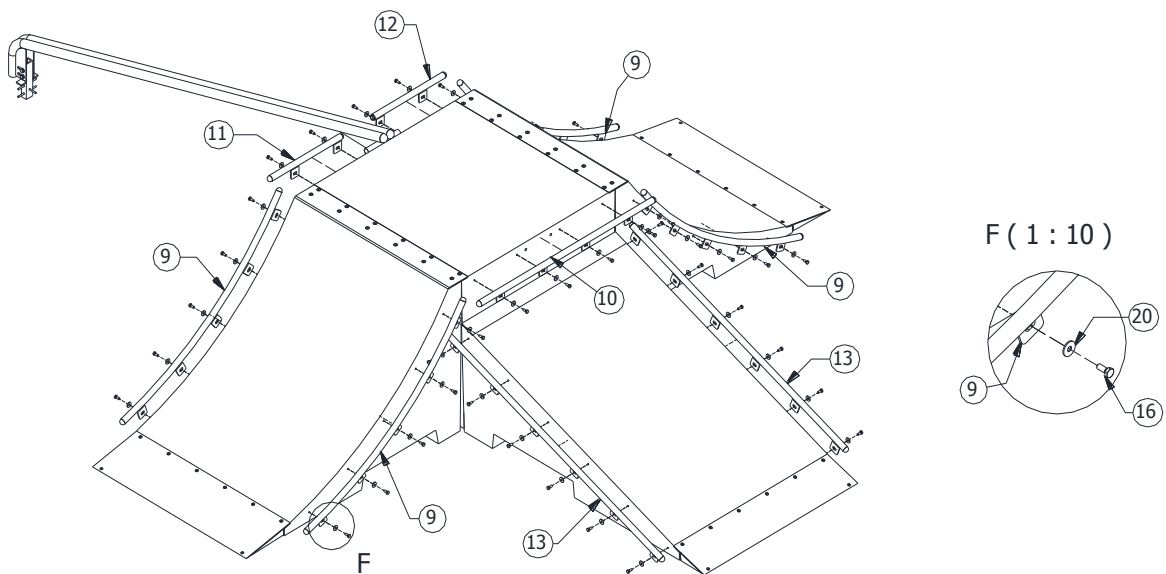
- Connect the upper surfaces of the concrete elements with steel plates (point 8) with the screw of point 15.



- To mount the Curb (point 4 and 5), prepare holes in the ground in designated place (about 2875mm from edges of the Box of point 3). Pour concrete for frame of Curb for Box (point 5). Screw the Curb (point 4) to the Box (point 1) with screw and washer of point 18 and 22. Screw the lower end of the Curb (point 4) to the frame (point 5) by using screws and washers of point 17, 19 and 21.



- Install the side rails (point 9, 10, 11, 12, 13) by using screw and washer of point 16, 20.



- All the corners of the steel toe plates shall be mounted to the ground with the extension bolts of point 23.
- Remove the slacks in joints
- Put the statutory plate