



It shall apply from: 21-06-2019 r.

**THE ASSEMBLY INSTRUCTION OF:
Skatepark Set no. 53
PRODUCT CODE: 105398**



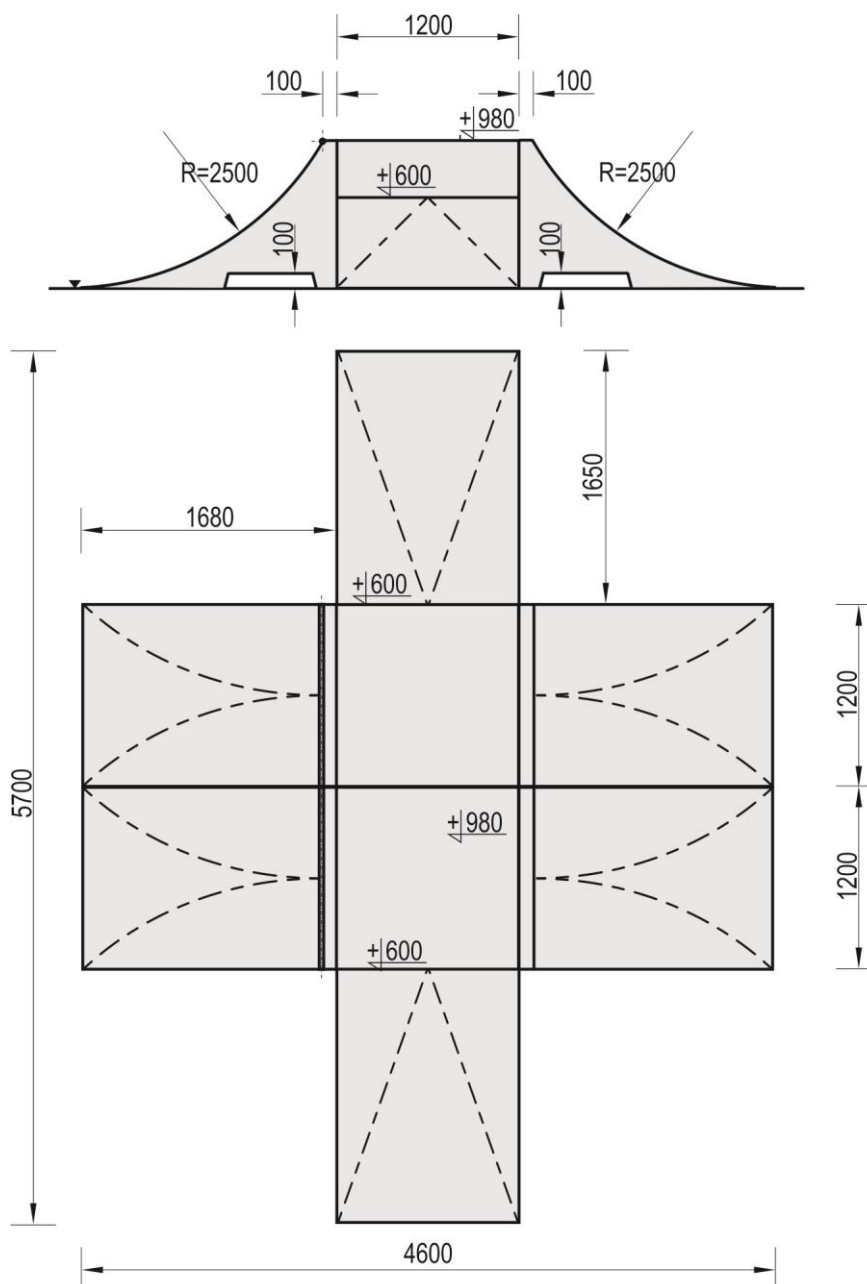


TABLE OF CONTENTS

INTRODUCTION	2
STAGE 1 – Preparatory work. Safety zone.....	3
STAGE 2 – Assembly of the construction	3
1. List of components	3
2. Assembly scheme	4

INTRODUCTION

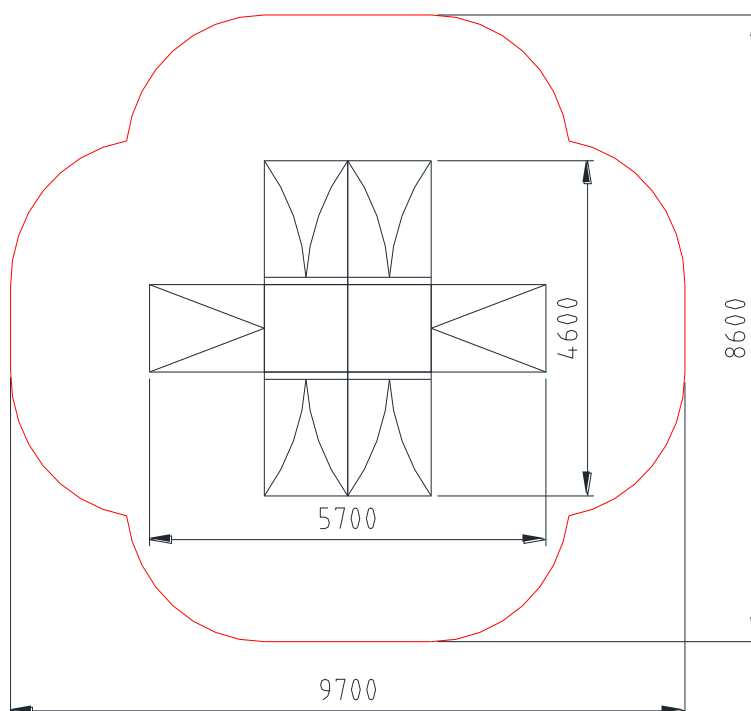
- Overall dimensions: 4,60 x 5,70 x 0,98m





STAGE 1 – Preparatory work. Safety zone

- Secure the assembly site to keep others at a distance
- Set the construction in a designated place having regard to required impact area.



WARNING!

Installation shall be performed in accordance with safety & health standards

STAGE 2 – Assembly of the construction

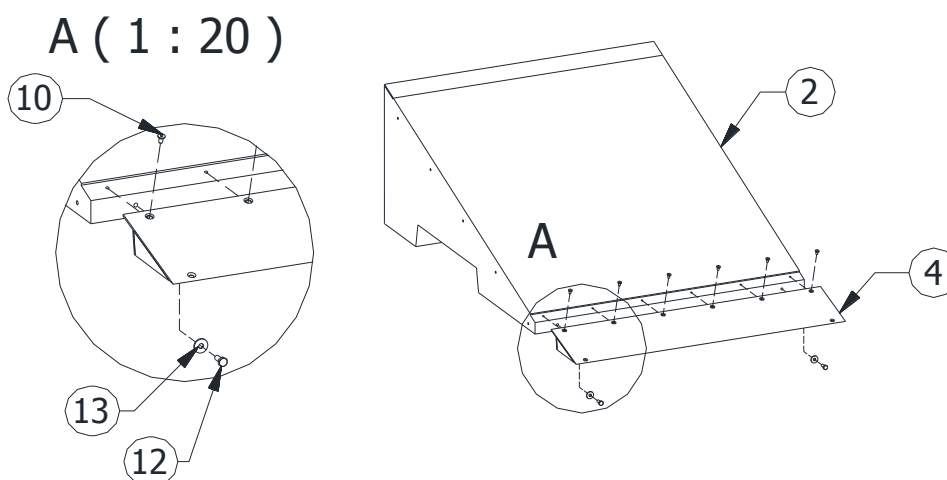
1. List of components

No.	Name of component	Dimensions	Qty.	Norm
1	Box 980 2S	1200x1200x980	2	
2	Bank 600		2	
3	Ramp 980		4	
4	Steel toe plate for Bank	250x1200	2	SN.250.000
5	Steel toe plate for Ramp	350x1200	4	SN.350.000
6	Connector of Ramp-Box 980	1 200x155x5	4	SP.Ł.106
7	Side rail for Box-Ramp		2	SP.BX.005 LR
8	Side rail for Bank 600		4	SP.BK.001
9	Side rail for Ramp 980		4	SP.RP.006
10	Countersunk screw torx	TX45 - M8 x 16	36	ISO 14581
11	Countersunk screw	M10 x 20	48	DIN 7991
12	Hexagon head screw	M10 x 25	60	DIN 933
13	Washer	Ø30xØ10,5x2,5 (M10)	60	DIN 9021
14	Plastic expansion bolt	Ø10x80	12	

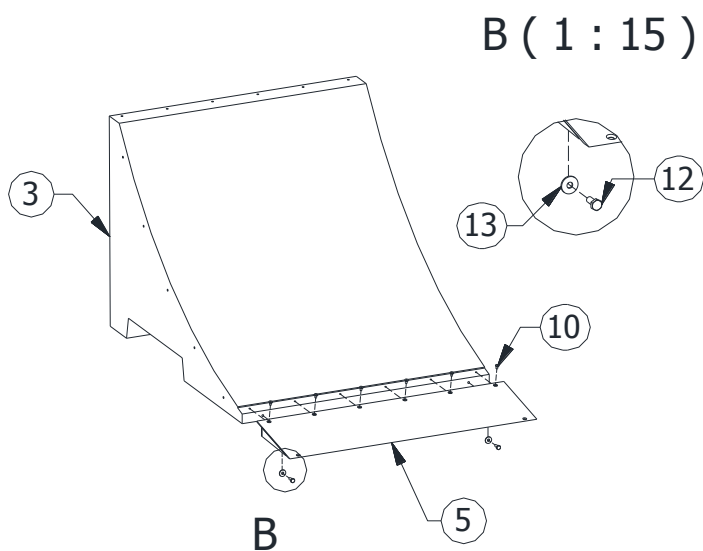


2. Assembly scheme

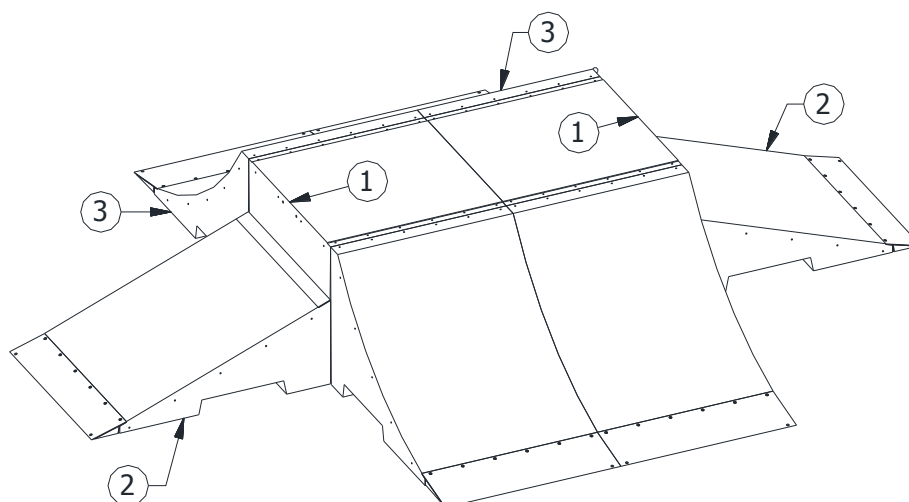
- Screw the steel toe plates (point 4) to the Banks (point 2)) with items of point 10,12 and 13.



- Screw the steel toe plates (point 5) to the Ramps (point 3) za pomocą point 10,12 i 13.

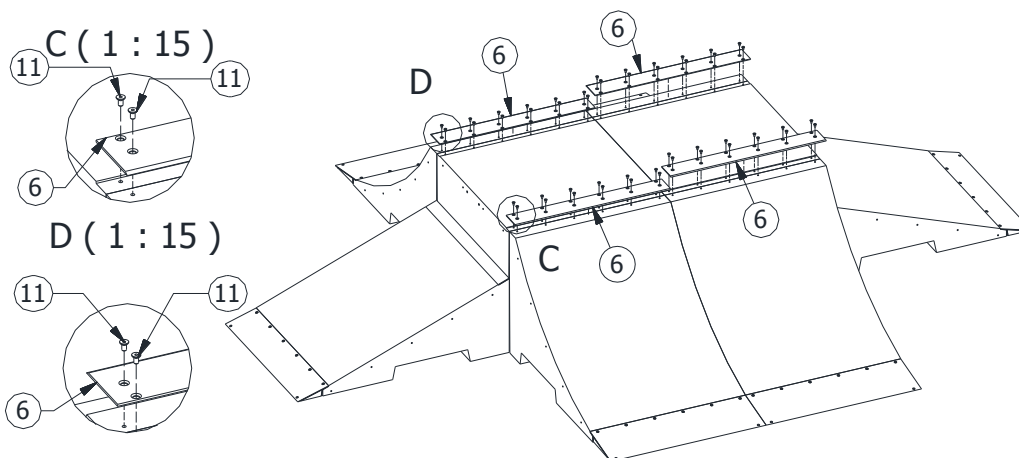


- Place the concrete elements according to the illustration below:

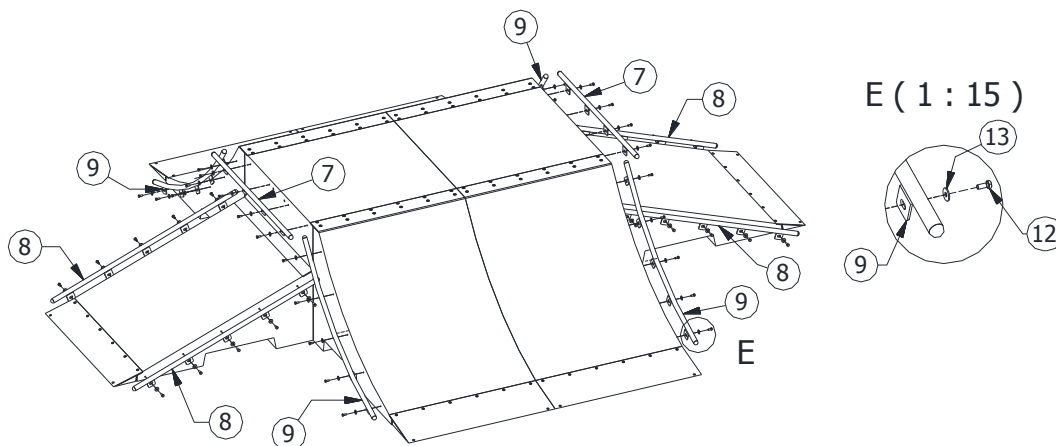




- Screw the concrete elements together with connecting steel shits (point 6) and countersunk screws of point 11,



- Screw the side rail (point 7, 8 and 9) to the device by using items of points 12 and 13.



- All the corners of the steel toe plates shall be mounted to the ground with the bolts (point 14)
- Remove the slacks in joints
- Put the statutory plate