

FUN BOX 17

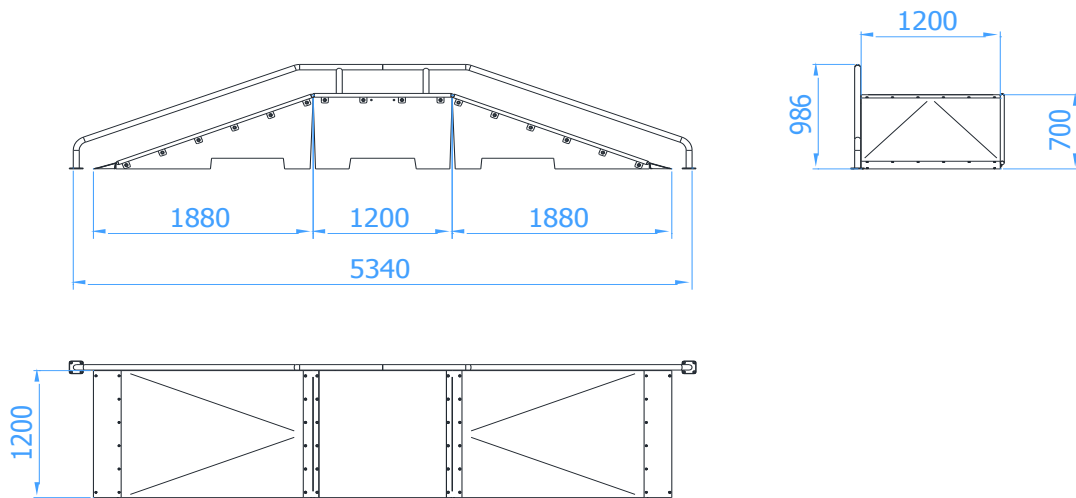
Catalogue number: 108770

It shall apply from: 26-02-2024

**Product dimensions
(length x width x height)** 5,34 x 1,20 x 0,99 m



Product dimensions



Technical description

- Construction made of concrete of class C35/45;
- Stainless steel toe plates 4mm thick;
- The set consists of: Box 700 + 2x Bank 700 + Side rail \varnothing 60mm;
- All steel elements are hot-dip galvanized;
- The concrete elements are protected against weather conditions effects by impregnation preparation and painted with PILBET acrylic paint.