

It shall apply from: 26-07-2022 r.

**THE ASSEMBLY INSTRUCTION OF:
SPINE-RAMP
PRODUCT CODE: 121280**



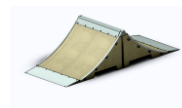
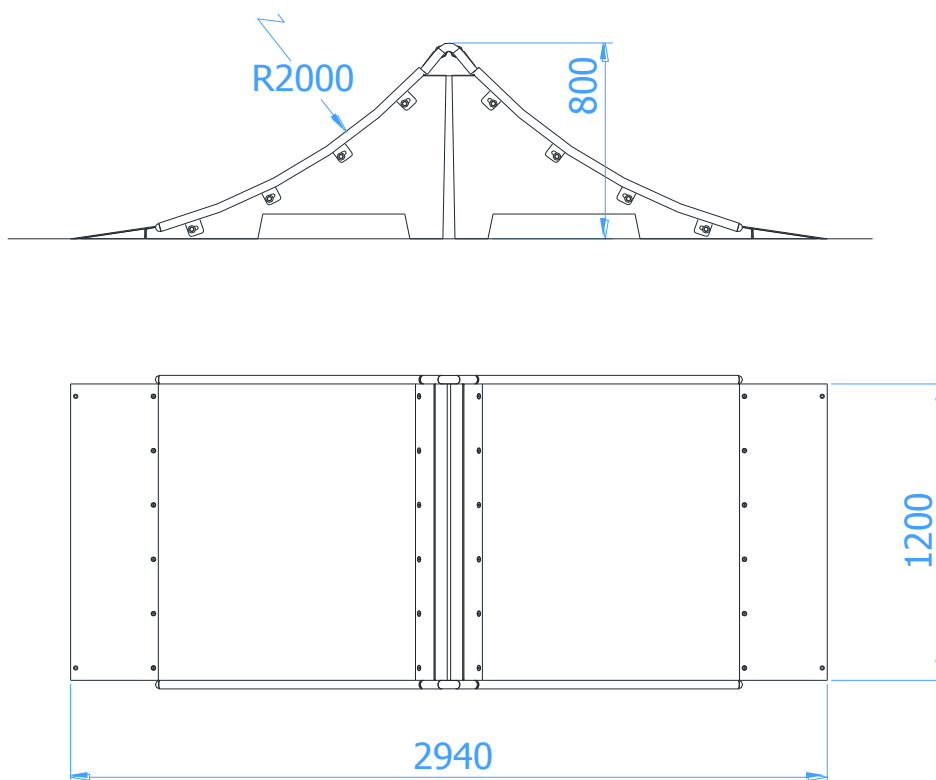


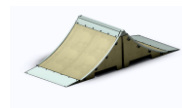
TABLE OF CONTENTS

INTRODUCTION	2
STAGE 1 – Preparatory works – safety zone	3
STAGE 2 – Assembly of the construction	3
1. List of elements	3
2. Assembly scheme	4

INTRODUCTION

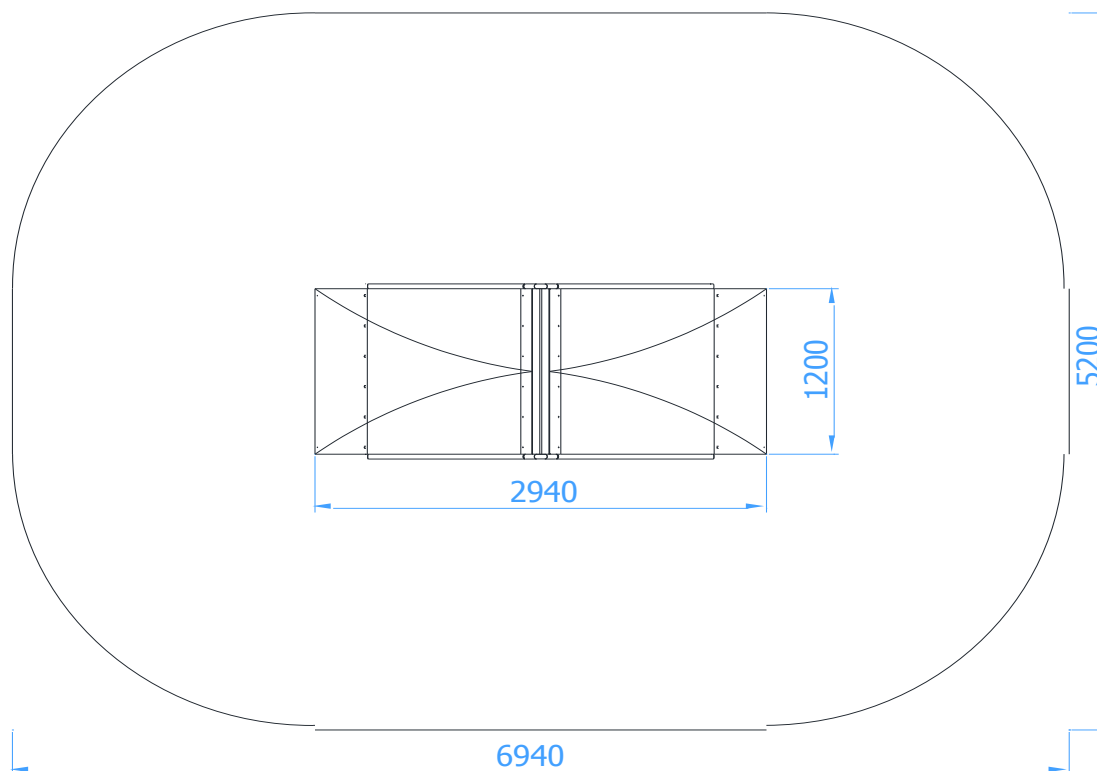
- Overall dimensions:: 2,94 x 1,20 x 0,8 m





STAGE 1 – Preparatory works – safety zone

- Secure the assembly site to keep others at a distance
- Set the construction in a designated place having regard to required impact area.



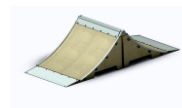
WARNING!

Installation shall be performed in accordance with safety & health standards.

STAGE 2 – Assembly of the construction

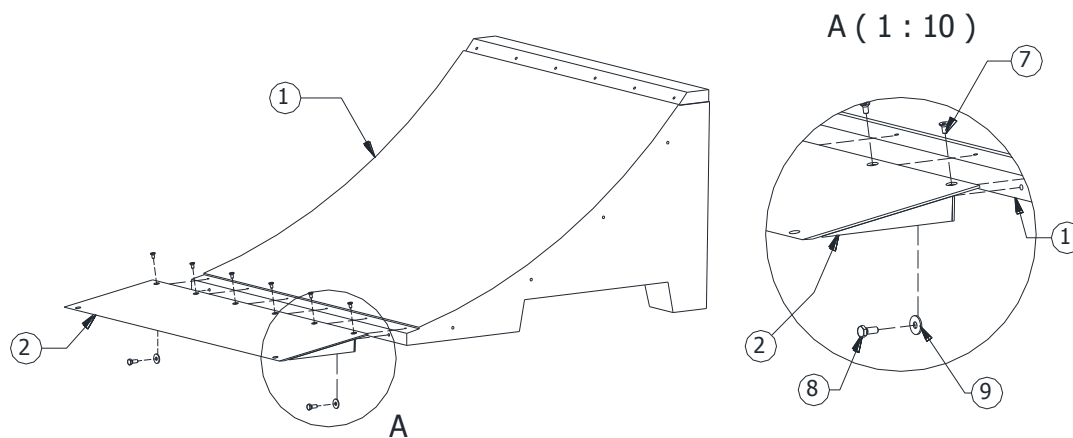
1. List of elements

No	Name of component	Dimension	Qty.	Norm
1	Spine-Ramp		2	
2	Steel toe plates for Ramp	350x1200	2	SN.350.000
3	Upper railing for Spine		1	SP.SR.000
4	Upper rail for the right Spine		2	SP.RP.005 R
5	Side rail for the left Spine		2	SP.RP.005 L
6	Countersunk screw	M10 x 20	12	DIN 7991
7	Countersunk screw torx	TX45 - M8 x 16	12	ISO 14581
8	Hexagon head screw	M10 x 25	20	DIN 933
9	Washer	Ø30xØ10,5x2,5 (M10)	20	DIN 9021
10	Expansion bolt	Ø10x80	2	

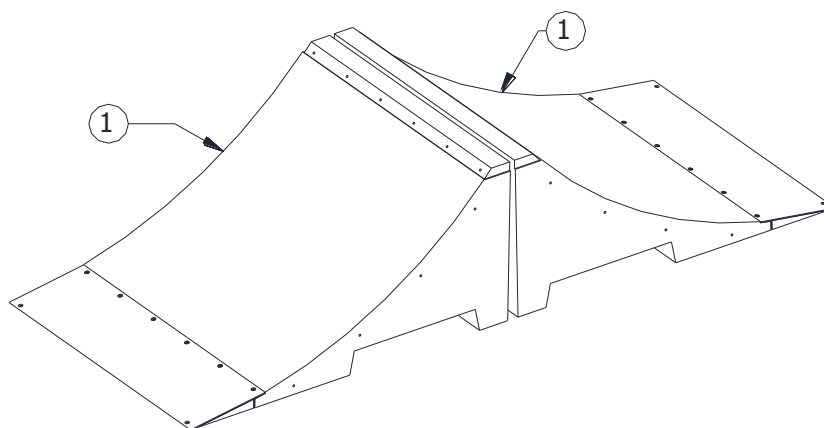


2. Assembly scheme

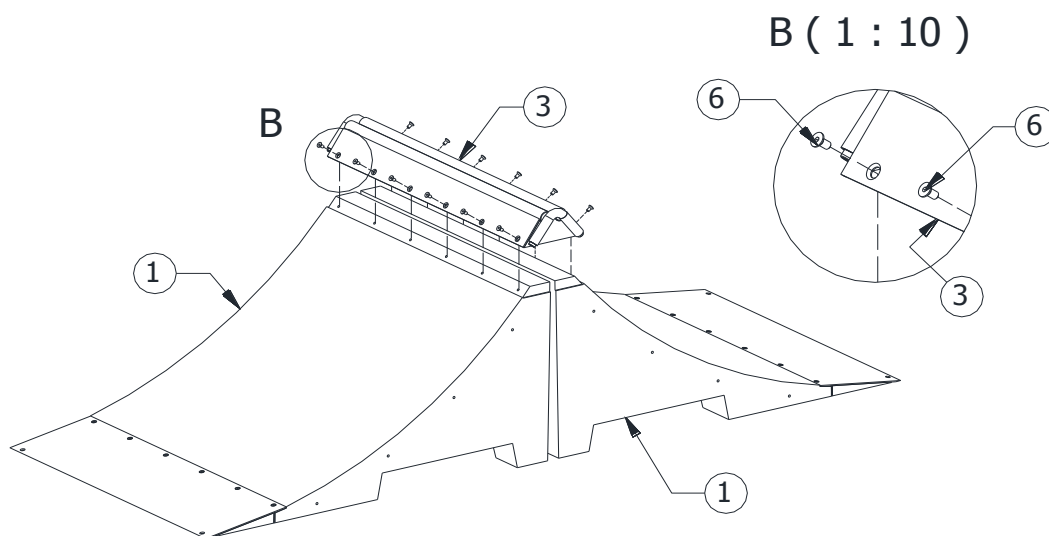
- Screw the steel toe plates (point 2) to the Spine-Ramp (point 1) with screws and washers of point 7, 8 and 9.

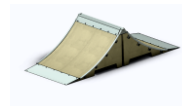


- Set the concrete elements on a designated place

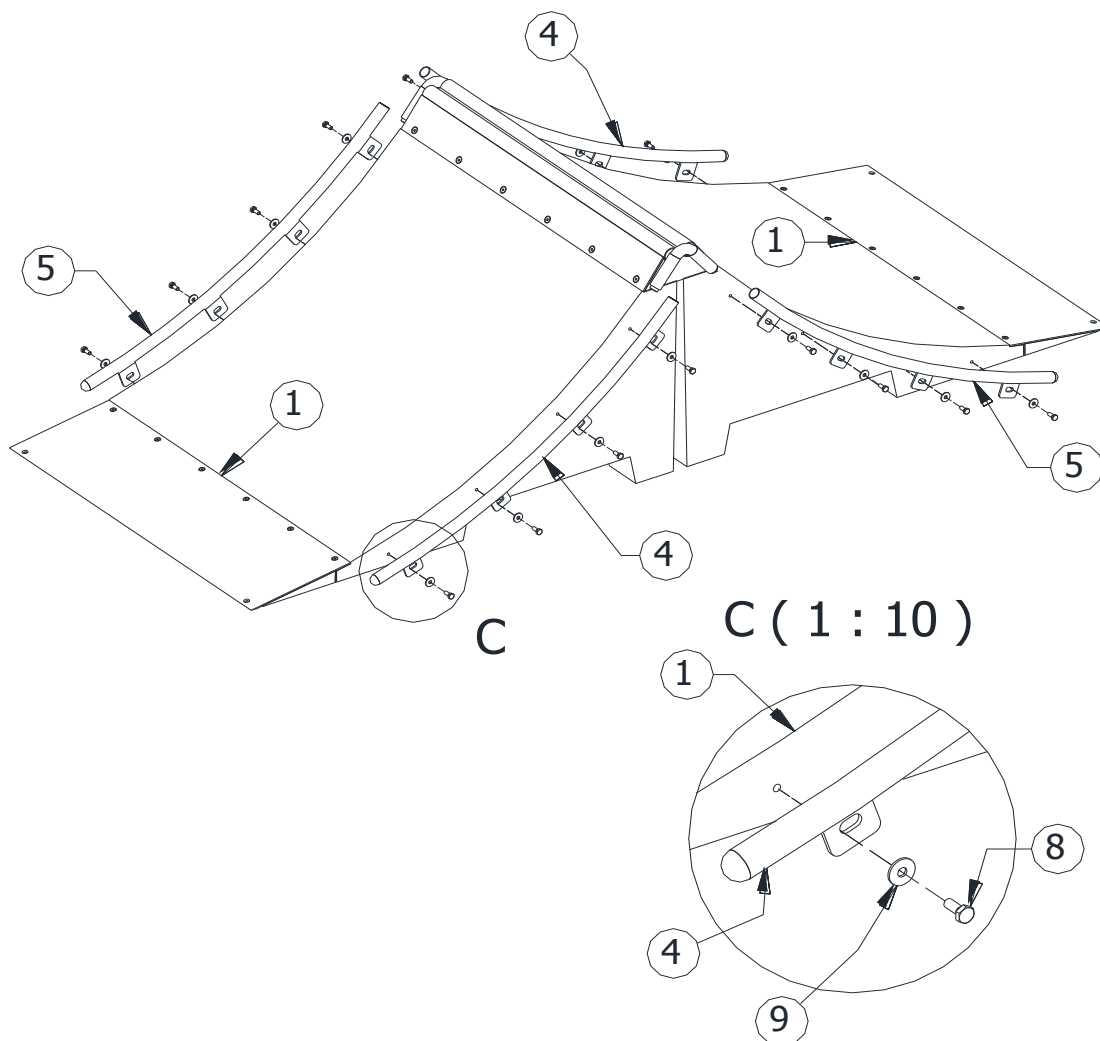


- Screw the upper rails for Spine (point 3) to the upper surface of concrete elements by using screw of point 6.





- Screw the side rails (point 4 and 5) to the side surface of the concrete element by using screws and washers of point 8 and 9



- The corners of steel toe plates shall be mounted to the ground with expansion bolts of point 10.
- Remove the slacks in joints
- Put the statutory plate