



It shall apply from: **18-01-2022 r.**

**ASSEMBLY INSTRUCTION OF:
HORIZONTAL CURB
Product code: 132408**

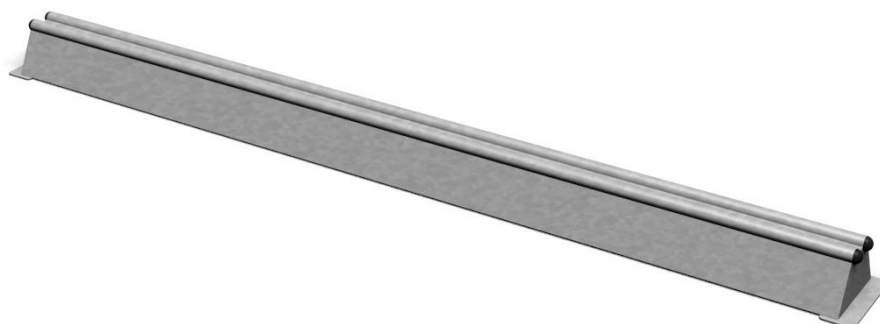


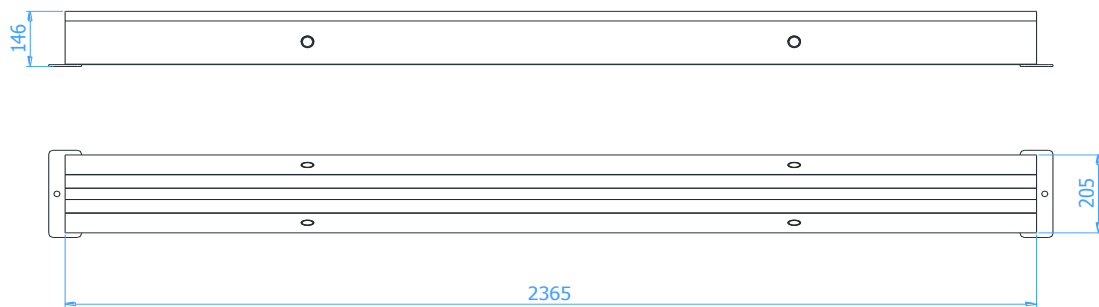


TABLE OF CONTENTS

INTRODUCTION	2
STEP 1 – Preparatory work/safety zone	2
STEP 2 – Assembly of the construction	3
1. List of components	3
2. Assembly scheme	3

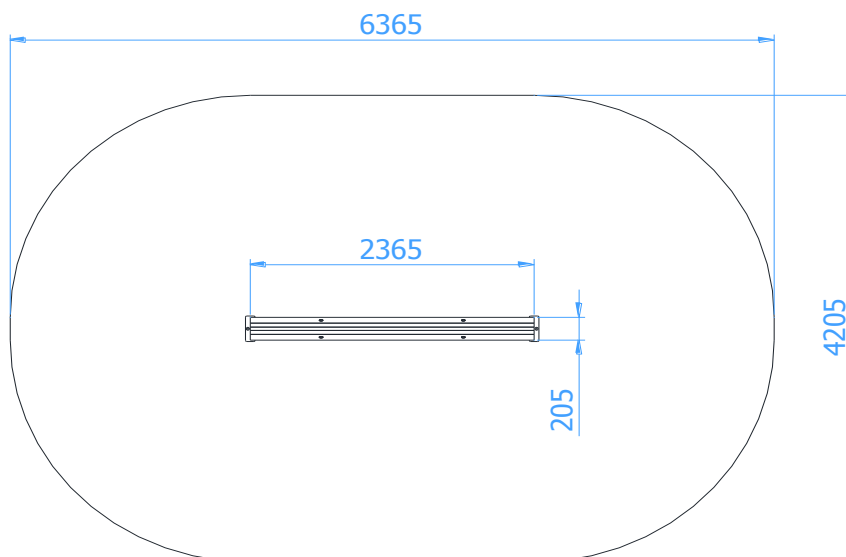
INTRODUCTION

- Overall dimensions: 2,37 x 0,21 x 0,15 m



STEP 1 – Preparatory work/safety zone

- Secure the assembly site to keep others at a distance
- Set the construction in a designated place having regard to required impact area.



- Secure the assembly site to keep others at a distance
- Set the construction in a designated place having regard to required impact area.



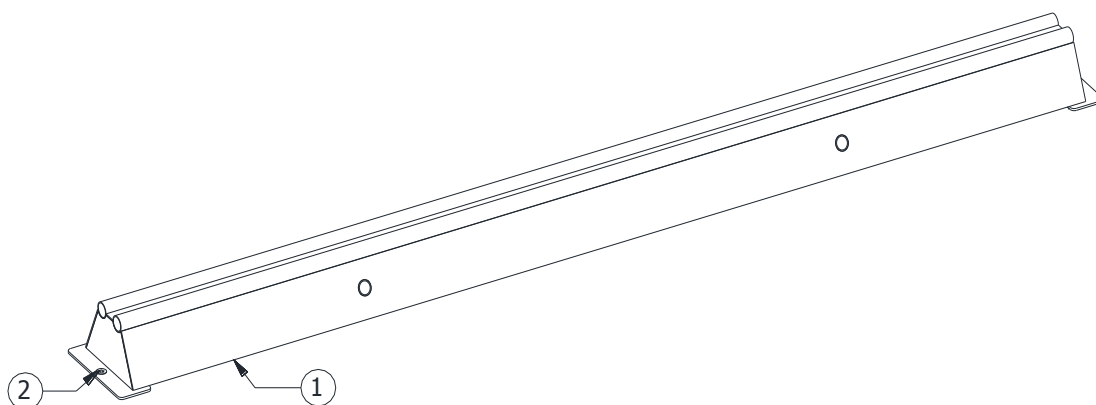
STEP 2 - Assembly of the construction

1. List of components

No.	Name of component	Dimensions	Qty.	Norm
1	Horizontal curb		1	
2	Plastic expansion bolt	Ø14x80	2	

2. Assembly scheme

- Put the Curb in a designated place and screw it to the ground by using expansion bolts (item 2).



- Remove the slacks in joints
- Put the statutory plate