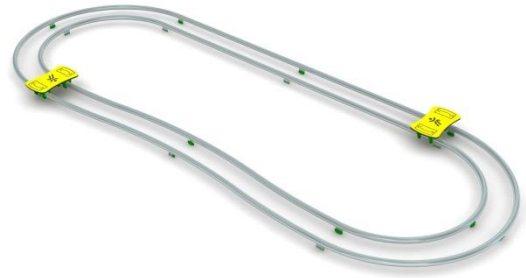


TWISTER RACING RAIL

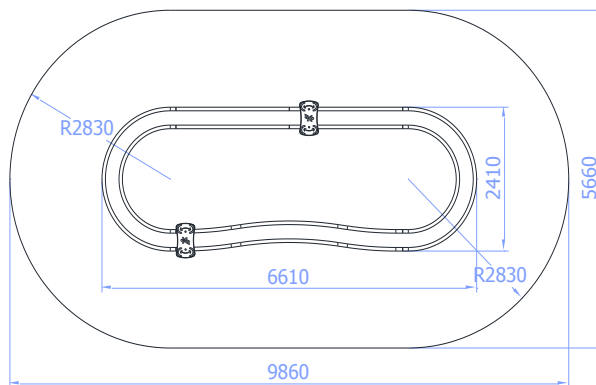
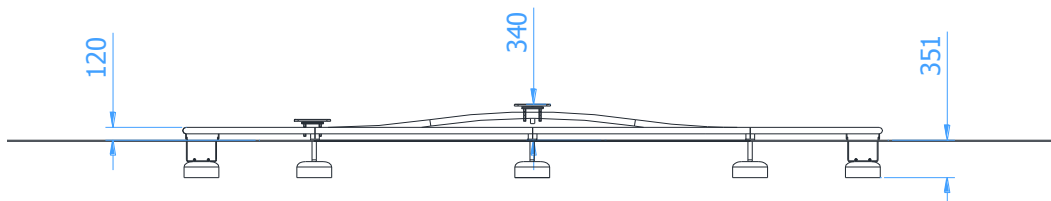
Catalogue number: 14040-14041

It shall apply from: 16-10-2023

Max. free fall height:	0,34 m
Product Dimensions: (length x width x height)	6,61 x 2,43 x 0,34 m
Impact area dimensions (length x width)	9,86 x 5,66 m
Free zone	47,4 m ²



Product dimensions



Acceptable shock-absorbing surface:

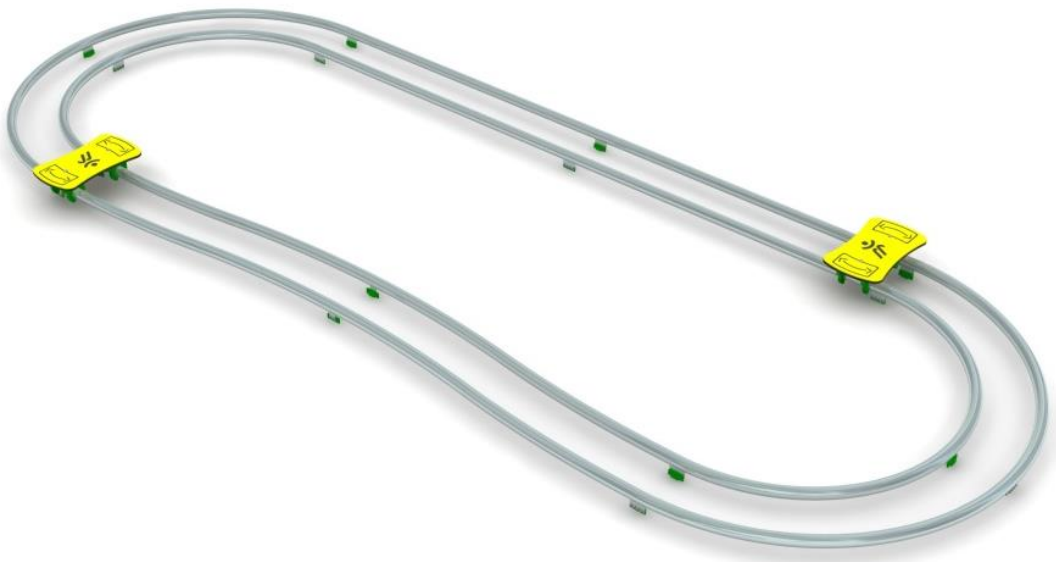
- No requirements

Technical description

- Boards made of HDPE sheet of 19mm thick with anti-slip surface
- Racing rail made of $\varnothing 60,3$ stainless steel pipe of 2mm thick
- The set includes a foundation made of concrete of class C25/30 which make installation easier

Product visualizations

Cat. no.: 14040 – basic version A



Cat.no.: 14041 – basic version B

