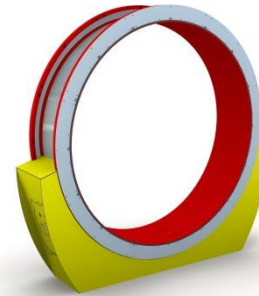


## HAMSTER WHEEL

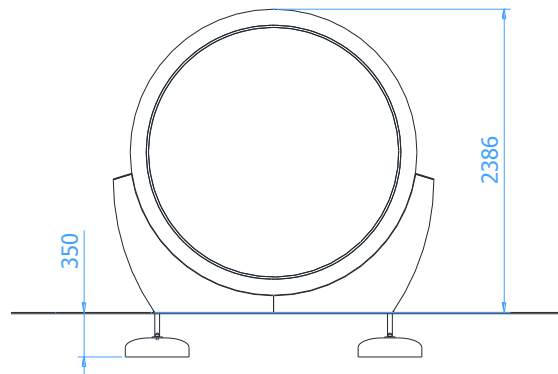
Catalogue number: 14070

It shall apply from: 05-02-2019

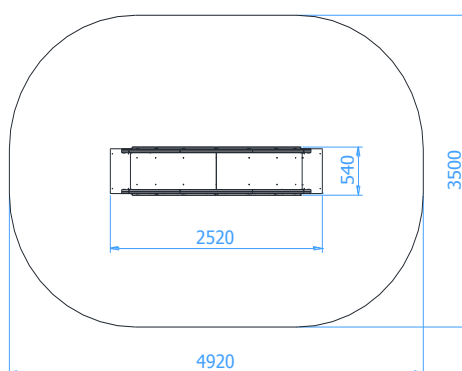
<b>Max. free fall height:</b>	0,70 m
<b>Product Dimensions:</b> ( length x width x height)	2,52 x 0,54 x 2,39 m
<b>Impact area:</b> (length x width)	4,92 x 3,50 m
<b>Free zone:</b>	15,3 m <sup>2</sup>



### Product dimensions:



### Impact area dimensions:



### Acceptable shock-absorbing surface:

- Turf
- Bark – grain size 20 do 80mm, min. depth 200
- Woodchip – grain size 5 do 30 mm, min. depth 200mm
- Sand – grain size 0,2 do 2 mm, min. depth 200mm
- Gravel – grain size 2 do 8 mm, min. depth 200 mm
- Synthetic surfaces in accordance with tested HIC (EN 1177)

*The impact attenuating surfacing shall be installed on the whole of impact area.*

*A loose-fill safety surface shall be 100mm thicker than min. depth indicated above.*

### Technical description

- A solid construction made of steel profile 80x40x3mm, stainless steel profile 30x20x2mm and 4mm stainless steel sheet.
- An internal side of the wheel made of anti-slip, 18 mm HDPE sheet
- Surface elements made of milled, 6mm HPL sheet
- The device equipped with the set of quiet running rolls which don't require a maintenance
- All steel elements are protected against corrosion and painted with an acrylic lacquer
- The set includes a foundation made of concrete of class C25/30 which make installation easier

## Product visualisation

