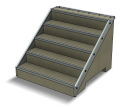




It shall apply from: **11-06-2019 r.**

THE ASSEMBLY INSTRUCTION OF:  
**Stairs 980**  
PRODUCT CODE: **161298**



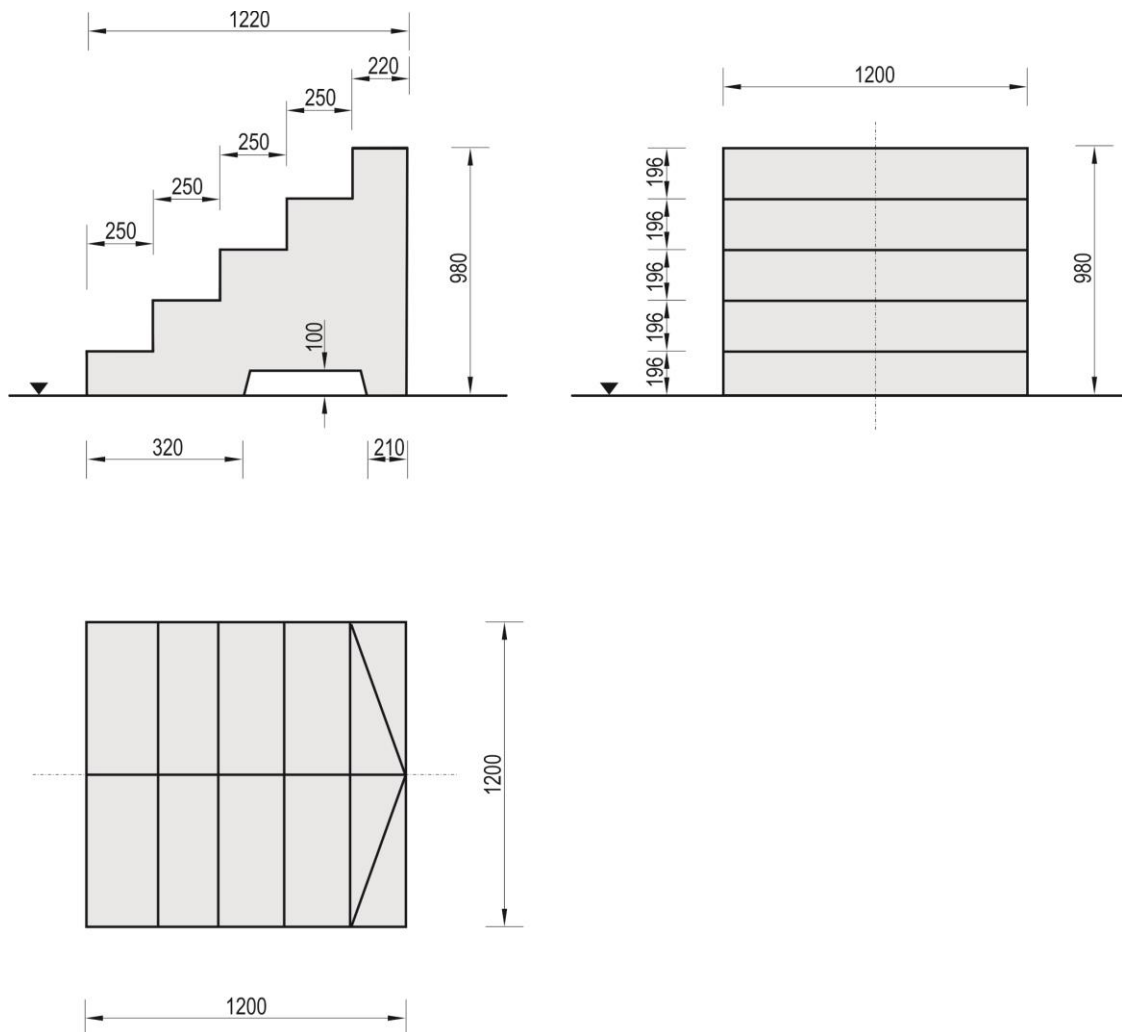


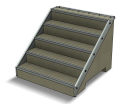
## TABLE OF CONTENTS

INTRODUCTION .....	2
STAGE 1 – Preparatory works - impact area .....	3
STAGE 2 – Assembly of the construction .....	3
1. List of components .....	3
2. Assembly scheme .....	4

## INTRODUCTION

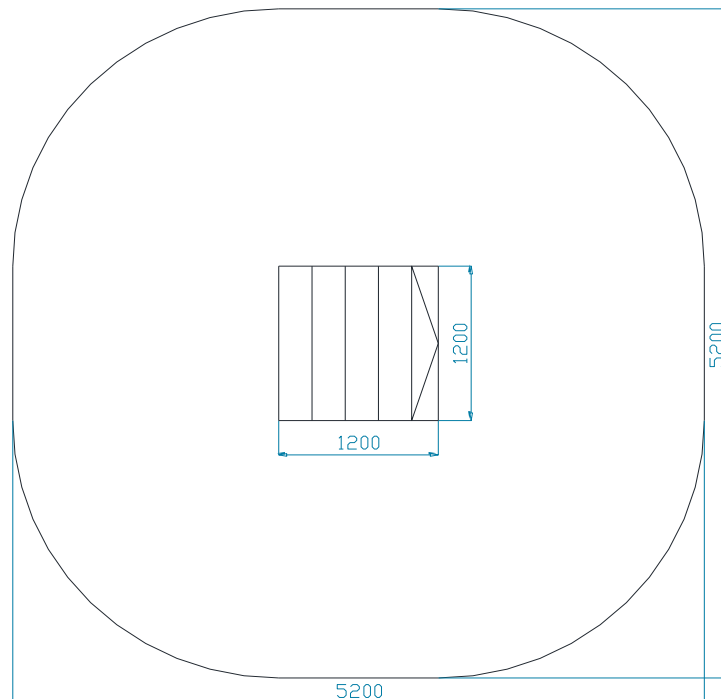
- Overall dimensions: 1,22 x 1,20 x 0,98 m





## STAGE 1 – Preparatory works - impact area

- Secure the assembly site to keep others at a distance
- Set the construction in a designated place having regard to required impact area.



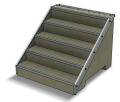
### WARNING!

Installation shall be performed in accordance with safety & health standards

## STAGE 2 – Assembly of the construction

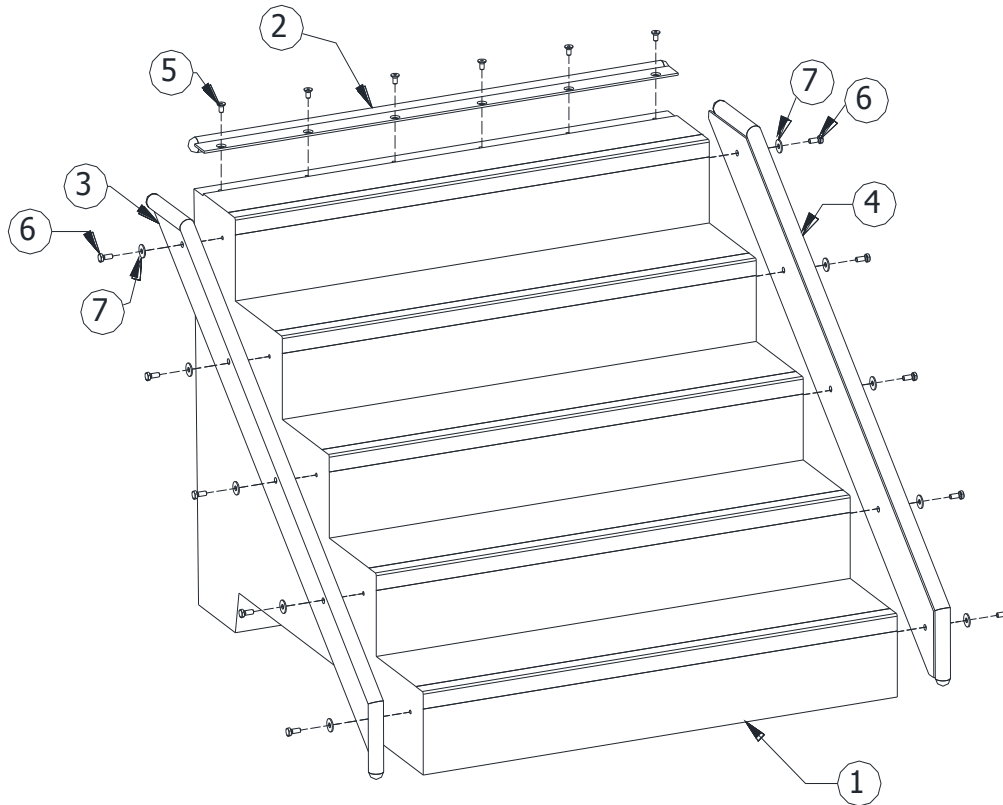
### 1. List of components

No.	Name of component	Dimension	Qty.	Norm
1	Stairs 980		1	
2	Upper rail for Box		1	SP.BX.001
3	Side rail for Stairs 980		1	SP.SS.002L
4	Side rail for Stairs 980		1	SP.SS.002R
5	Screw	M10 x 20	6	DIN 7991
6	Screw	M10 x 25	10	DIN 933
7	Screw	∅30x∅10,5x2,5 (M10)	10	DIN 9021



## 2. Assembly scheme

- Set the concrete element (point 1) in a designated place while keeping required impact area



- Fix the side rails (point 3, 4) with screws (point 7, 6).
- Screw the upper rail (point 2) to the top of the Stairs (point. 1) with a screw of point 5
- Remove the slacks in joints.
- Put the statutory plate