



It shall apply from: **12-10-2018 r.**

THE ASSEMBLY INSTRUCTION OF:
WALK-BOX
PRODUCT CODE: **181220**



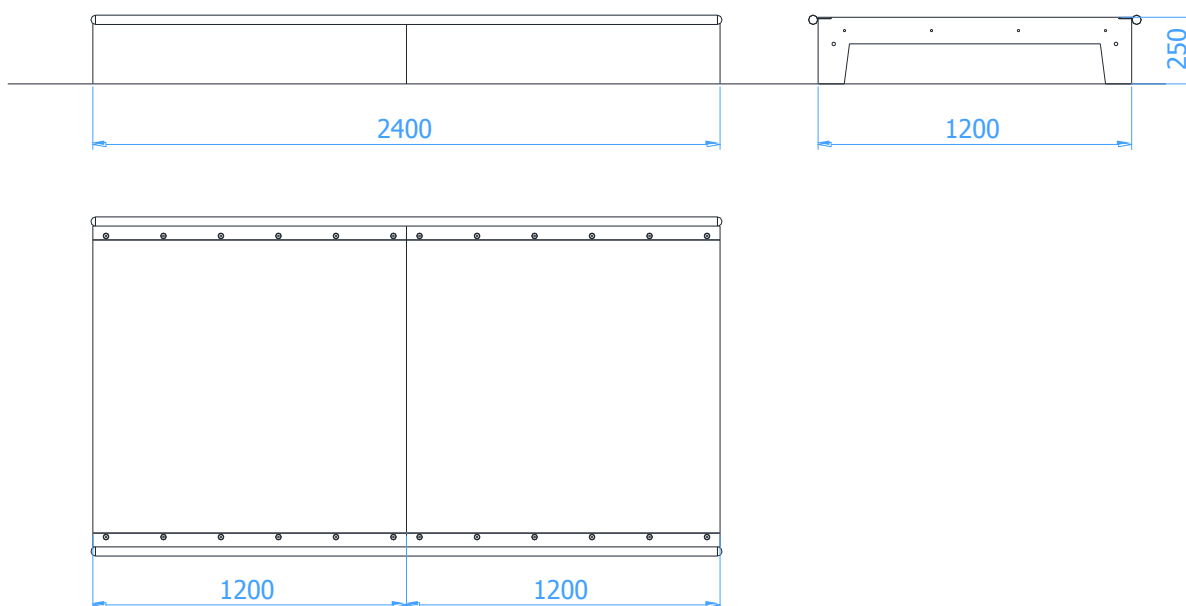


TABLE OF CONTENTS

INTRODUCTION	2
STAGE 1 – Preparatory work – safety zone	3
STAGE 2 – Assembly of the construction	3
1. List of components	3
2. Assembly scheme	4

INTRODUCTION

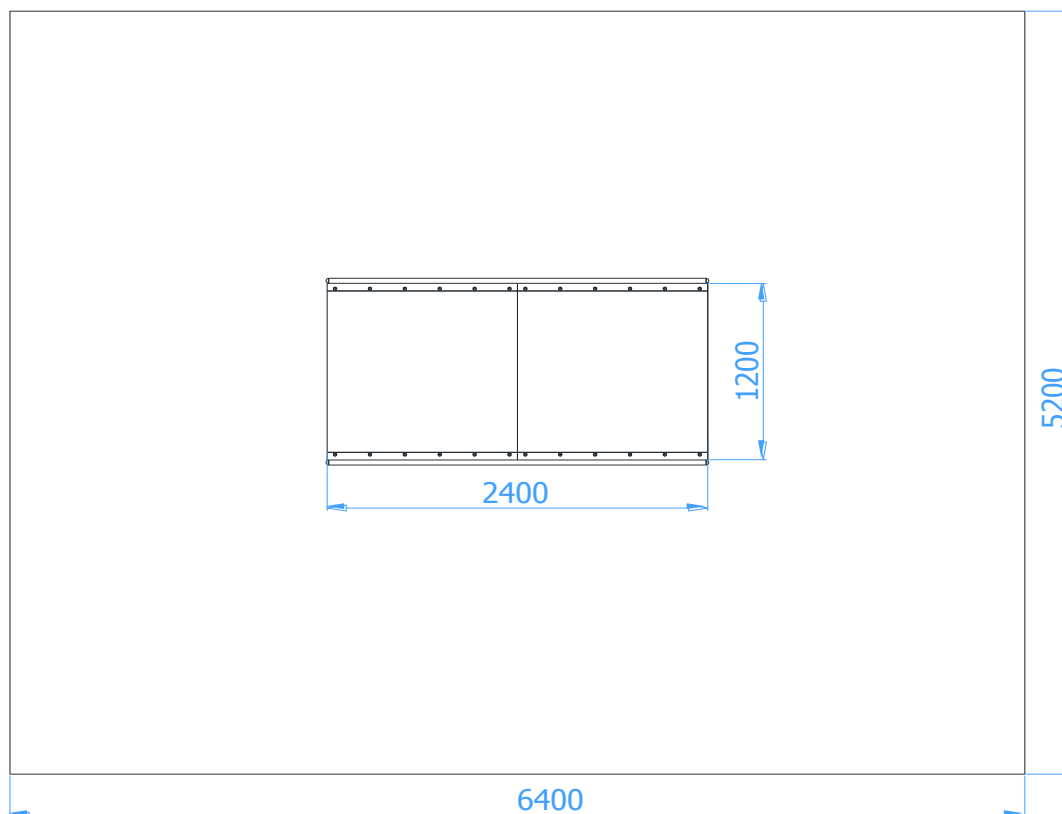
- Overall dimensions: 2,40 x 1,20 x 0,25 m





STAGE 1 – Preparatory work – safety zone

- Secure the assembly site to keep others at a distance
- Set the construction in a designated place having regard to required impact area.



WARNING!

Installation shall be performed in accordance with safety & health standards

STAGE 2 – Assembly of the construction

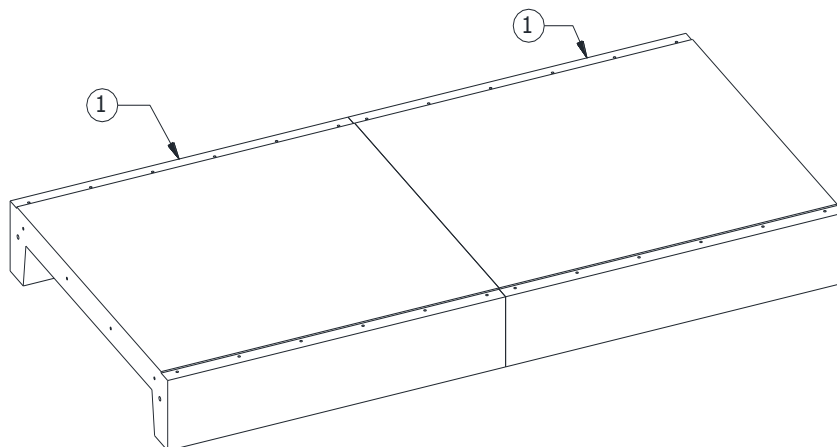
1. List of components

No	Name of component	Dimensions	Qty.	Norm
1	Box 250 2S	120x120x250	2	
2	Double top rail for Box		2	SP.BX.007
3	Countersunk screw	M10 x 20	24	DIN 7991

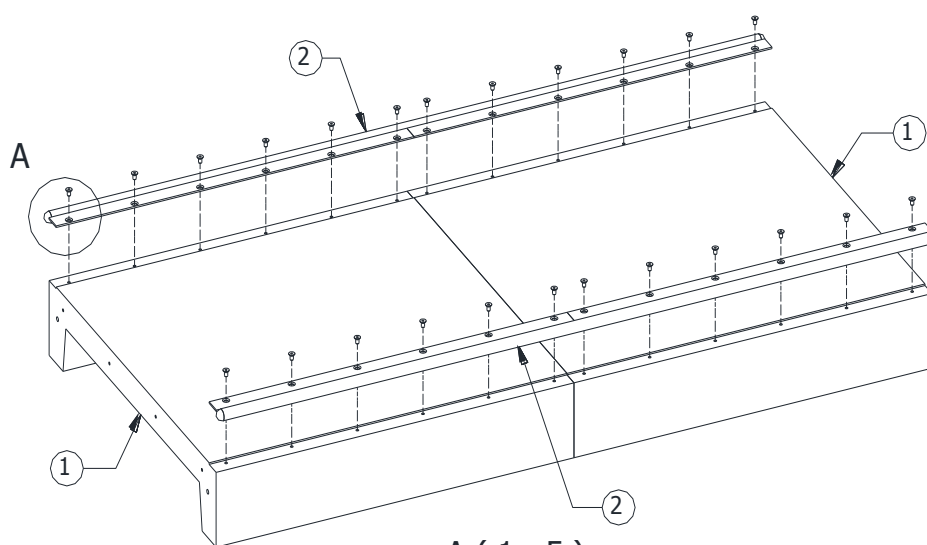


2. Assembly scheme

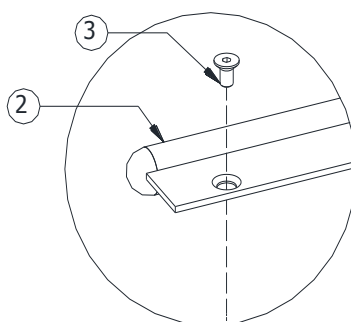
- Set the concrete elements (point 1) in a designated place having regard to required impact area.



- Screw the top rails (point 2) to the top of concrete elements (point 1) by using countersunk screws (point 3).



A (1 : 5)



- Remove the slacks in joints
- Put the statutory plate