



It shall apply from: **10-12-2019 r.**

THE ASSEMBLY INSTRUCTION OF:
Ollie Box Rounded
PRODUCT CODE: **181240**

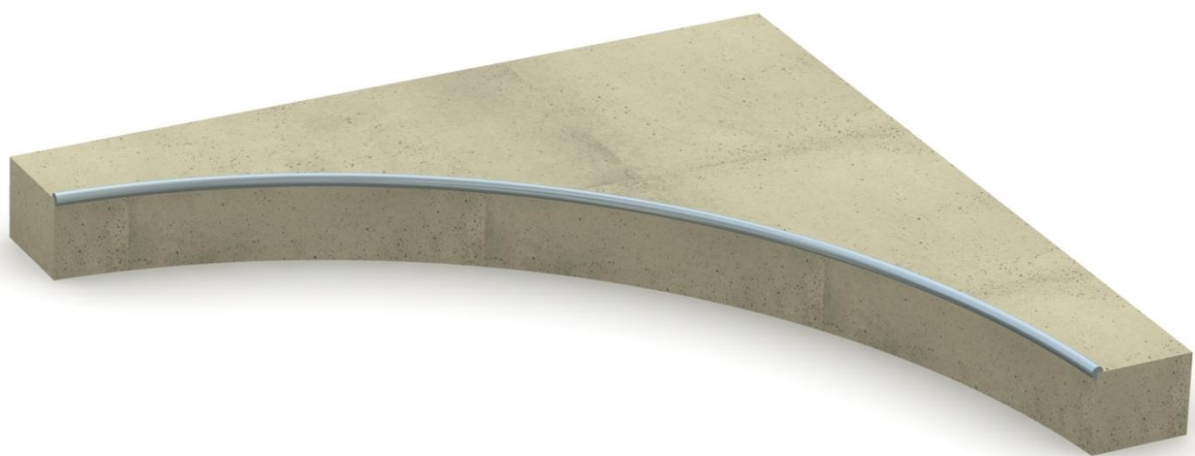


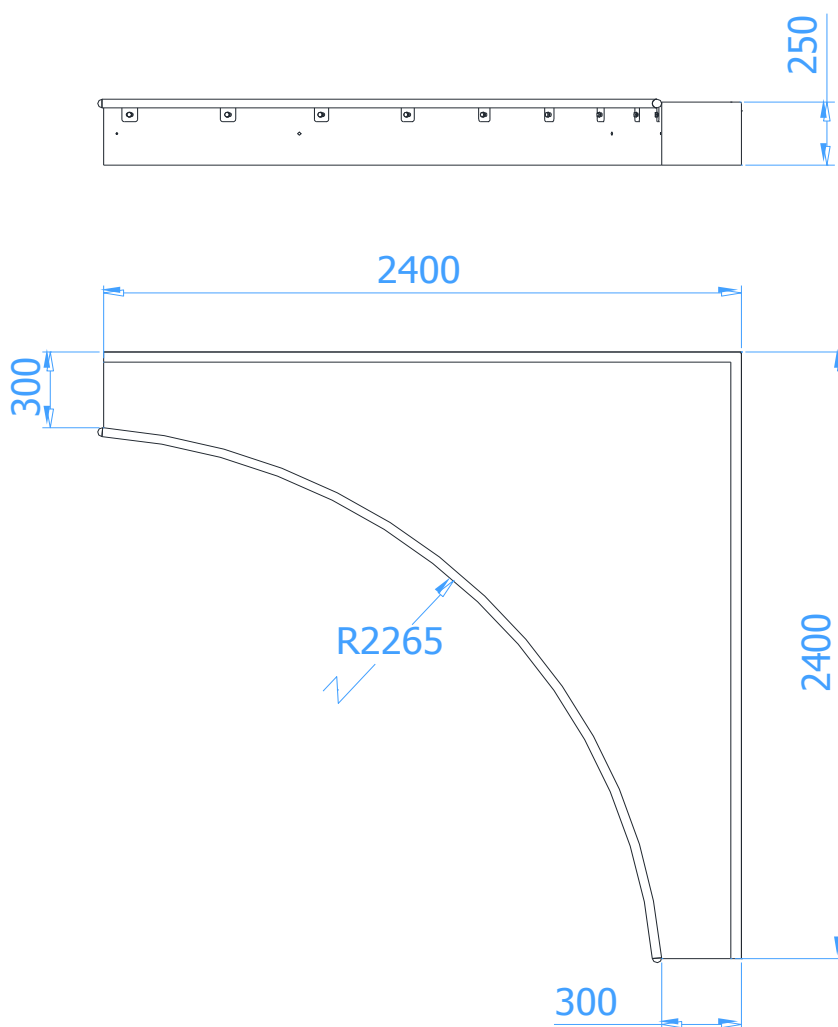


TABLE OF CONTENTS

INTRODUCTION	2
STAGE 1 – preparatory work	3
STAGE 2 – assembly of the construction.....	3
1. List of components	3
2. Assembly scheme	4

INTRODUCTION

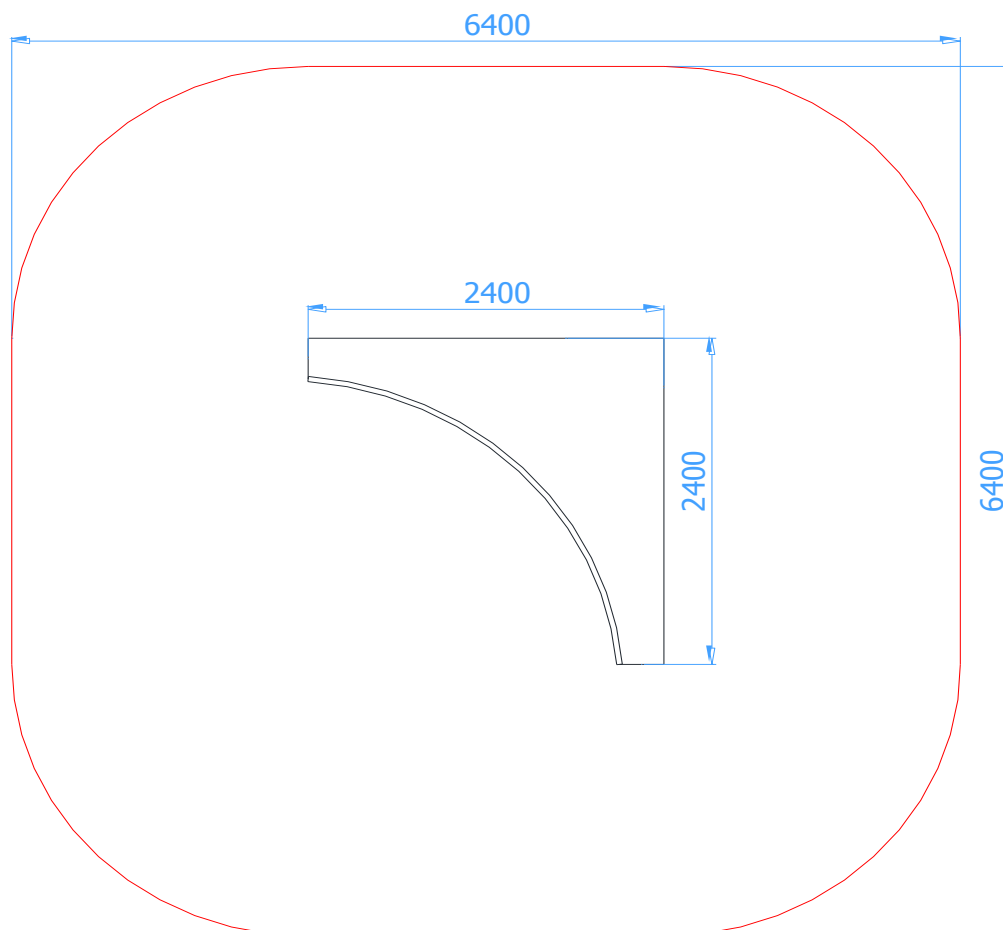
Overall dimensions: 2,40m x 2,40m x 0,25m





STAGE 1 – preparatory work

- Secure the assembly site to keep others at a distance
- Set the construction in a designated place having regard to required impact area.



WARNING!

Installation shall be performed in accordance with safety & health standards.

STAGE 2 – assembly of the construction

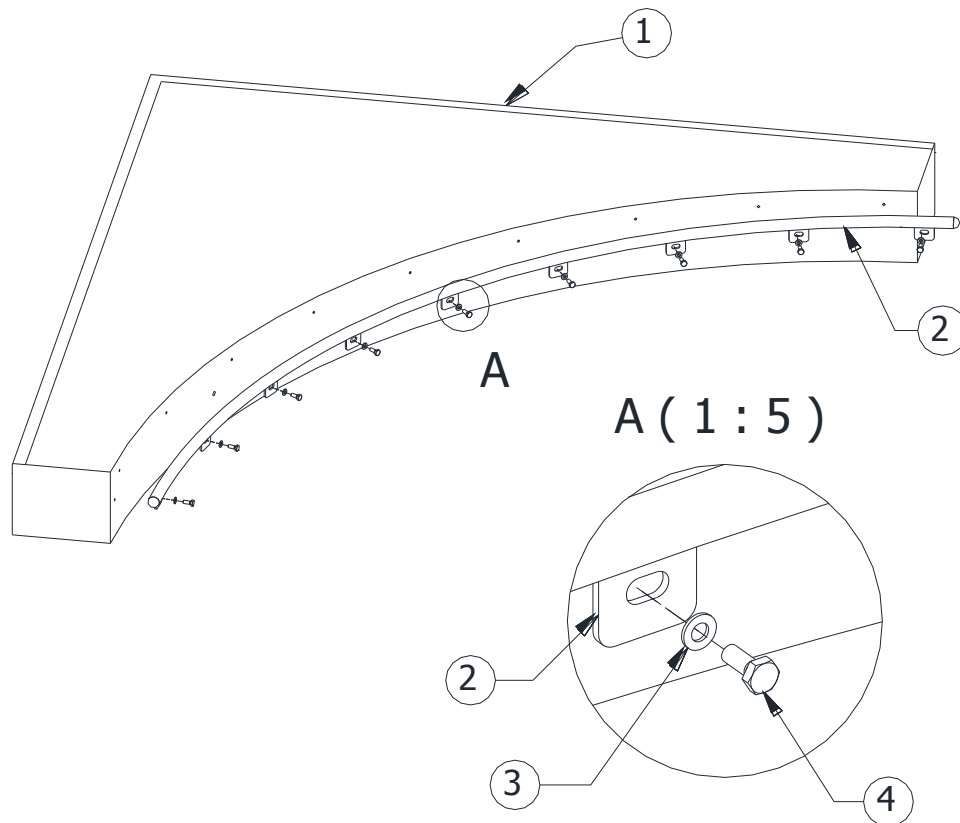
1. List of components

No	NAME OF COMPONENT	DIMENSIONS	QTY.	NORM
1	Ollie box rounded	2 400x2 400x250	1	
2	Side rail		1	SP.OBR.001
3	Washer	Ø20xØ10,5x2 (M10)	9	DIN 125
4	Hexagon head screw	M10 x 25	9	DIN 933



2. Assembly scheme

- Set the concrete element (point 1) in a designated place having regard to required impact area.
- Screw the side rail (point 2) to the curved side of the Ollie Box by using point 3 and 4.



- Remove the slacks in joints
- Put the statutory plate