

TRIPLE RECYCLING STATION

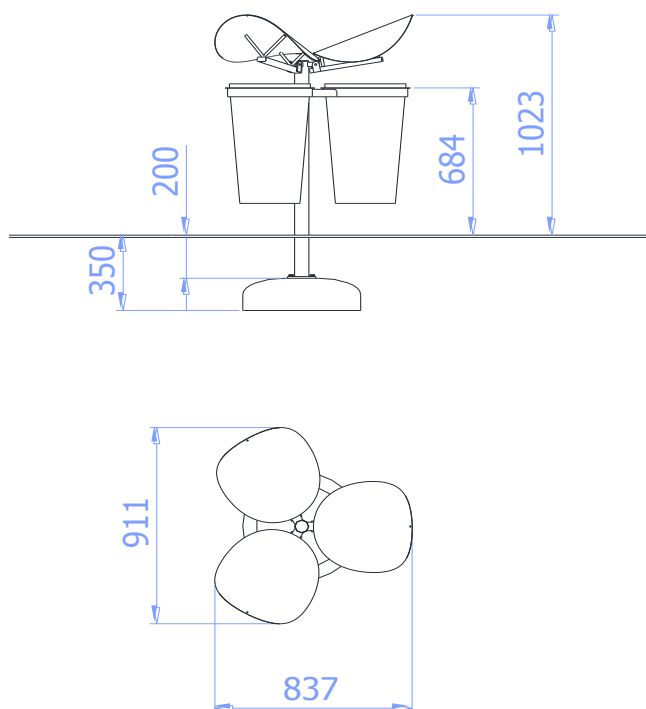
catalogue number: 216

It shall apply from: 05-05-2020

Max. free fall height: 0,84 x 0,92 x 1,03 m



Product dimensions



Technical description

- The station consists of three steel bins in different colours, with a capacity of 40l
- Construction made of steel pipe 60,3x2,9mm and sheet metal 5mm thick
- Hoods made of sheet metal 3mm thick and steel profile 40x20x2mm,
- All steel elements are hot dip galvanized and painted with an acrylic lacquer
- The set includes a foundation made of concrete of class C25/30 which make installation easier