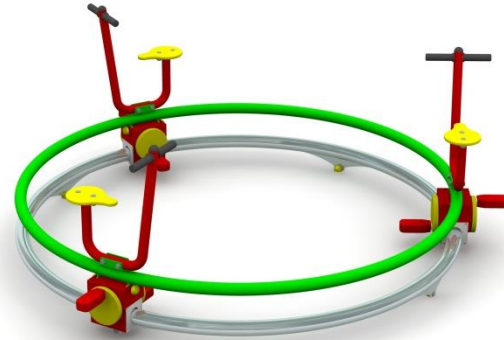


## CYCLE MERRY-GO-ROUND

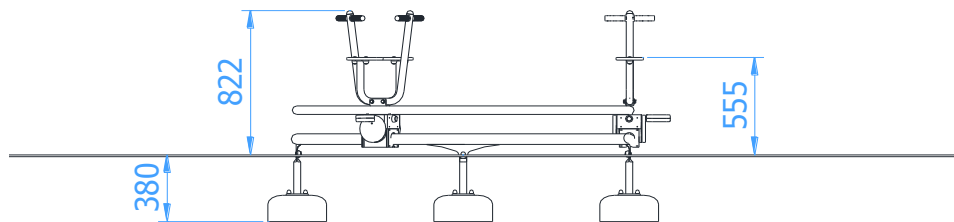
Catalogue number: 2204B

It shall apply from: 27-06-2016

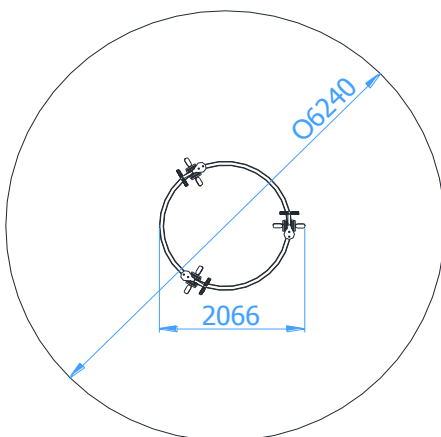
<b>Max. free fall height:</b>	0,55 m
<b>Product Dimensions:</b> ( length x width x height)	2,07 x 2,07 x 0,82 m
<b>Impact area</b> (length x width)	6,24 x 6,24 m
<b>Free zone</b>	30,6 m <sup>2</sup>



### Product dimensions



### Impact area dimensions



#### Acceptable shock-absorbing surface:

- Turf
- Bark – grain size 20 do 80 mm, min. depth 200 mm + 100mm
- Woodchip – grain size 5 do 30 mm, min. depth 200mm + 100mm
- Sand – grain size 0,2 do 2 mm, min. depth 200mm + 100mm
- Gravel – grain size 2 do 8 mm, min. depth 200 mm+ 100mm
- Synthetic surfaces in accordance whit tested HIC (EN 1177)

*The impact attenuating surfacing shall be installed on the whole of impact area.*

*A loose-fill safety surface shall be 100mm thicker than min. depth indicated above.*

### Technical description

- The track made of stainless steel pipe  $\varnothing 60,3 \times 2,6$  mm,
- Frame of the carousel made of steel pipe  $\varnothing 48,3 \times 2,9$  mm and  $\varnothing 38 \times 2,6$  mm,
- Surface elements made of HDPE,
- All steel elements are protected against corrosion and painted with an acrylic lacquer
- The set includes a foundation made of concrete of class C25/30 which make installation easier

# TECHNICAL DATA SHEET

## Product visualization

