

STANDARD DOUBLE SWING SET 2,0m

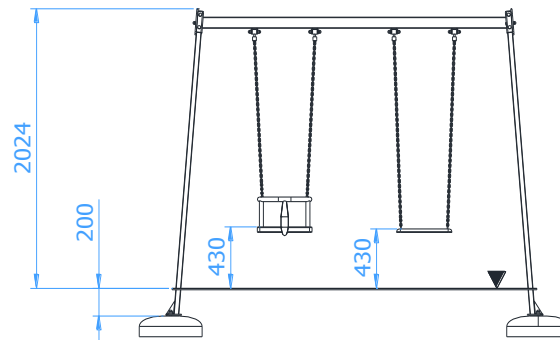
Catalogue numbers: 2219, 2219A, 2219B

It shall apply from: 20-05-2019

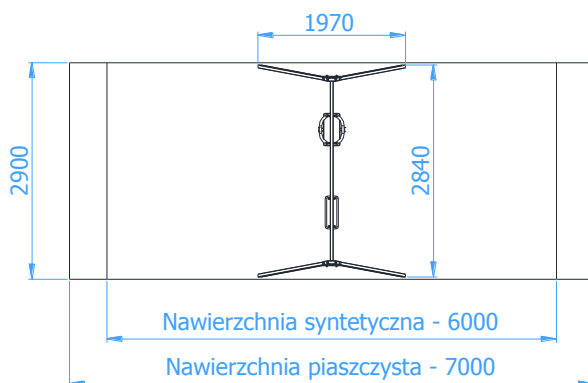
Max. free fall height:	1,15 m
Product Dimensions: (length x width x height)	1,97 x 2,84 x 2,03 m
Impact area: (length x width)	6,00 x 2,90 m – synthetic surface 7,00 x 2,90 m – sandy surface
Free zone:	17,4 m ² – synthetic surface 20,3 m ² – sandy surface



Product dimensions



Impact area dimensions



Permissible impact attenuating surface

- Bark – grain size 20 do 80mm, min. depth 200
- Woodchip – grain size 5 do 30 mm, min. depth 200mm
- Sand – grain size 0,2 do 2 mm, min. depth 200mm
- Gravel – grain size 2 do 8 mm, min. depth 200 mm
- Synthetic surfaces in accordance whit tested HIC (EN 1177)

The impact attenuating surfacing shall be installed on the whole of impact area.

A loose-fill safety surface shall be 100mm thicker than min. depth indicated above.

Technical description

- Construction made of steel profiles 40x40x3mm and 80x40x3mm,
- Swing chains made of stainless steel \varnothing 5mm
- The use of Teflon bushings ensures smooth swing. The swing system requires no maintenance,
- Rubber seats additionally reinforced with an aluminum profile
- All steel elements are hot-dip galvanized and painted with an acrylic, structured lacquer,
- The set includes foundations made of concrete class C25/30.
- In case of applying a synthetic surface that is on the same level that the surrounding surface, an additional 0.5 m of obstacle-free space should be taken into account in both directions of movement of the swing.

TECHNICAL DATA SHEET

Product variants

2219 - Standard Double Swing Set
H - 2,0m, two flat seats



2219A - 2219 - Standard Double Swing Set
H - 2,0m, two baby seats



2219B - 2219 - Standard Double Swing Set
H - 2,0m, flat seat and baby seat

