

## SINGLE SWING SET

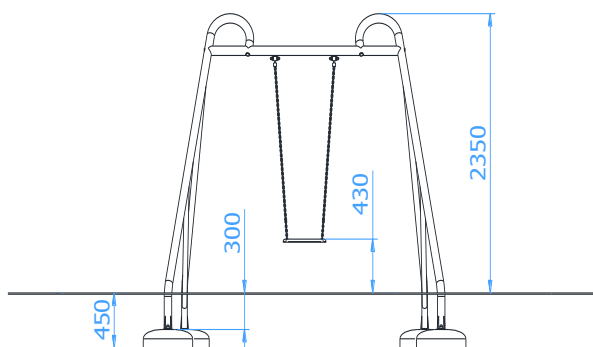
Catalogue number: 2220, 2220A

It shall apply from: 18-12-2018

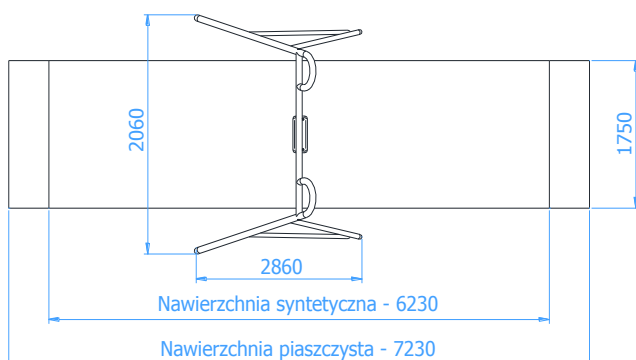
<b>Max. Free fall height:</b>	1,25 m
<b>Product Dimensions:</b> ( length x width x height)	2,06 x 2,86 x 2,35 m
<b>Impact area</b> (length x width)	6,23 x 1,75 m – synthetic surface 7,23 x 1,75 m – sandy surface
<b>Free zone</b>	10,9 m <sup>2</sup> – synthetic surface 12,6 m <sup>2</sup> – sandy surface



### Product dimensions



### Impact area dimensions



### Acceptable shock-absorbing surface:

- Bark – grain size 20 do 80 mm, min. depth 200 mm + 100mm
- Woodchip – grain size 5 do 30 mm, min. depth 200mm + 100mm
- Sand – grain size 0,2 do 2 mm, min. depth 200mm + 100mm
- Gravel – grain size 2 do 8 mm, min. depth 200 mm+ 100mm
- Synthetic surfaces in accordance whit tested HIC (EN 1177)

*The impact attenuating surfacing shall be installed on the whole of impact area.*

*A loose-fill safety surface shall be 100mm thicker than min. depth indicated above.*

### Technical description

- The construction made of steel pipes with diameter of  $\varnothing 76,1 \times 3,2 \text{ mm}$ ,  $\varnothing 57 \times 2,9 \text{ mm}$  and  $\varnothing 48,3 \times 2,9 \text{ mm}$ ,
- The chains  $\varnothing 5 \text{ mm}$  made of stainless steel,
- The use of Teflon bushings ensures smooth swing. The swing system requires no maintenance.
- All steel elements are hot dip galvanized and painted with an acrylic, structural lacquer
- The set includes foundations made of concrete of class C25/30
- In case of applying a synthetic surface that is on the same level that the surrounding surface, an additional space 0,5m free from obstacles of 0.5m in both directions of movement of the swing.

## TECHNICAL DATA SHEET

### Product variants:

**2220 - Single Swing Set with Flat Seat, h - 200 cm,  
In-ground mount**



**2220A - Single Swing Set with Baby Seat, h - 200 cm,  
In-Ground mount**

