

ADJUSTABLE SEESAW

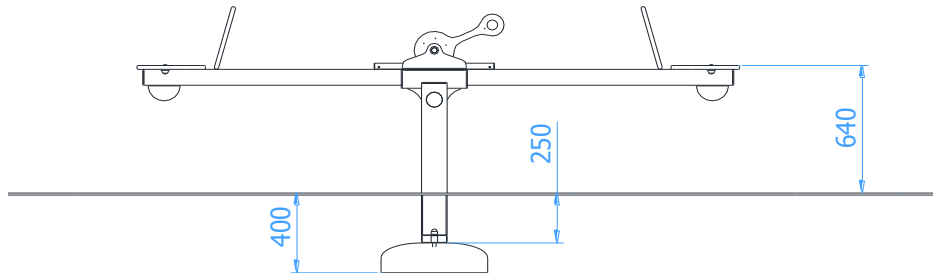
Catalogue number: 2238

It shall apply from: 21-03-2021

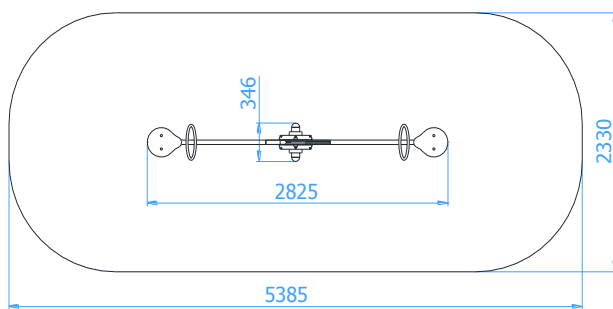
Max. free fall height:	0,99 m
Product Dimensions: (length x width x height)	2,83 x 0,36 x 0,99 m
Impact area (length x width)	5,23 x 2,33 m
Free zone	11,3 m ²



Product dimensions:



Impact area dimensions



Acceptable shock-absorbing surface:

- Turf
- Bark – grain size 20 do 80 mm, min. depth 200 mm + 100mm
- Woodchip – grain size 5 do 30 mm, min. depth 200mm + 100mm
- Sand – grain size 0,2 do 2 mm, min. depth 200mm + 100mm
- Gravel – grain size 2 do 8 mm, min. depth 200 mm+ 100mm
- Synthetic surfaces in accordance whit tested HIC (EN 1177)

The impact attenuating surfacing shall be installed on the whole of impact area.

A loose-fill safety surface shall be 100mm thicker than min. depth indicated above.

Technical description

- Construction made of steel profiles: 120x40x3mm, 80x40x3mm and a rod Ø20,
- The device is equipped with a mechanism with the wheel which allows changing the length of the arm in easy and quick way
- Seats made of 19mm HDPE sheet
- All steel elements are protected against corrosion and painted with an acrylic lacquer
- The set includes a foundation made of concrete of class C25/30 which make installation easier

TECHNICAL DATA SHEET

Product visualization

