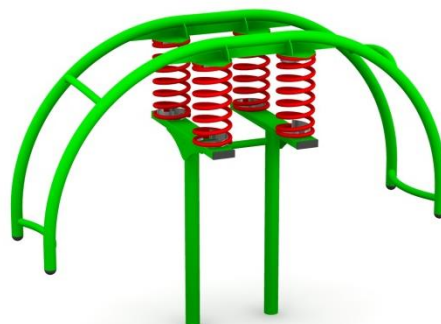


STANDING SEESAW KANGAROO

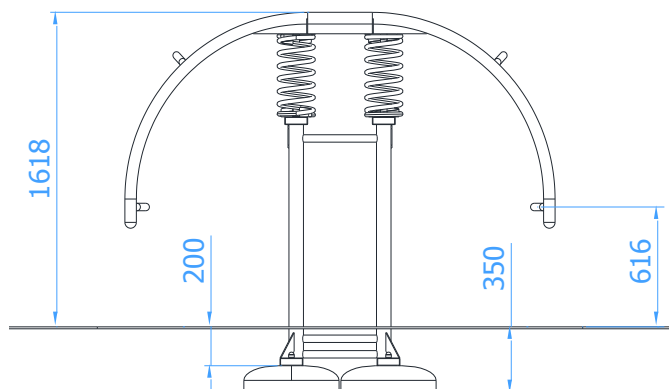
Catalogue number: 2239

It shall apply from: 13-10-2023

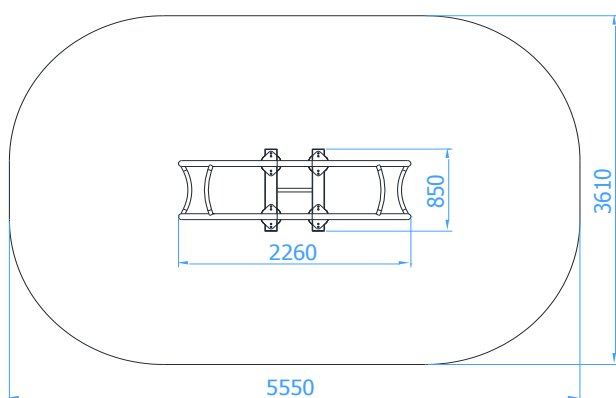
Max. free fall height:	1,16 m
Product Dimensions: (length x width x height)	2,26 x 0,85 x 1,62 m
Impact area (length x width)	5,55 x 3,61 m
Free zone	18,1 m ²



Product dimensions:



Impact area dimensions



Acceptable shock-absorbing surface:

- Turf
- Bark – grain size 20 do 80 mm, min. depth 200 mm + 100mm
- Woodchip – grain size 5 do 30 mm, min. depth 200mm + 100mm
- Sand – grain size 0,2 do 2 mm, min. depth 200mm + 100mm
- Gravel – grain size 2 do 8 mm, min. depth 200 mm+ 100mm
- Synthetic surfaces in accordance whit tested HIC (EN 1177)

The impact attenuating surfacing shall be installed on the whole of impact area.

A loose-fill safety surface shall be 100mm thicker than min. depth indicated above.

Technical description

- Construction made of steel pipe $\varnothing 114,3 \times 4$ mm, $\varnothing 60,3 \times 2,9$ mm and $\varnothing 38 \times 2,6$ mm,
- All steel elements are protected against corrosion and painted with an acrylic lacquer
- The set includes a foundation made of concrete of class C25/30 which make installation easier

Product visualization

