

## INCLUSIVE SWING

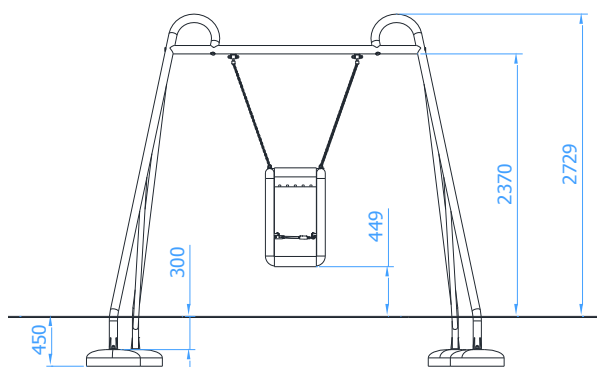
Numer katalogowy: 2259

It shall apply from: 24-10-2023

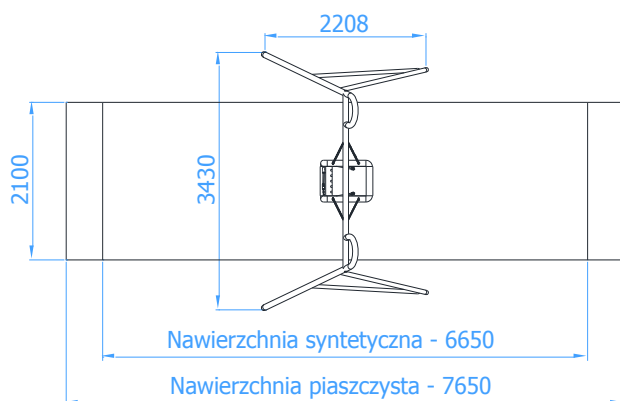
<b>Max. Free fall height:</b>	1,44 m
<b>Product Dimensions:</b> ( length x width x height)	3,43 x 2,30 x 2,73 m
<b>Impact area</b> (length x width)	2,10 x 6,65 m – synthetic surface 2,10 x 7,65 m – sandy surface
<b>Free zone</b>	14 m <sup>2</sup> – synthetic surface 20 m <sup>2</sup> – sandy surface



### Product dimensions



### Impact area dimensions



### Acceptable shock-absorbing surface:

- Bark – grain size 20 do 80 mm, min. depth 200 mm + 100mm
- Woodchip – grain size 5 do 30 mm, min. depth 200mm + 100mm
- Sand – grain size 0,2 do 2 mm, min. depth 200mm + 100mm
- Gravel – grain size 2 do 8 mm, min. depth 200 mm+ 100mm
- Synthetic surfaces in accordance whit tested HIC (EN 1177)

*The impact attenuating surfacing shall be installed on the whole of impact area.*

*A loose-fill safety surface shall be 100mm thicker than min. depth indicated above.*

### Technical description

- The construction made of steel pipes with diameter of  $\varnothing 76,1 \times 3,2 \text{ mm}$ ,  $\varnothing 57 \times 2,9 \text{ mm}$  and  $\varnothing 48,3 \times 2,9 \text{ mm}$ ,
- The seat accessible for kids with disabilities,
- The chains made of stainless steel  $\varnothing 5 \text{ mm}$ ,
- The use of Teflon bushings ensures smooth swing. The swing system requires no maintenance.
- All steel elements are hot dip galvanized and painted with an acrylic, structural lacquer
- The set includes foundations made of concrete of class C25/30
- In case of applying a synthetic surface that is on the same level that the surrounding surface, an additional 0.5 m of obstacle-free space should be taken into account in both directions of movement of the swing.

## Product visualization

