

## MODULAR BIRD'S NEST SWING WITH 2 AND 3 SEATS

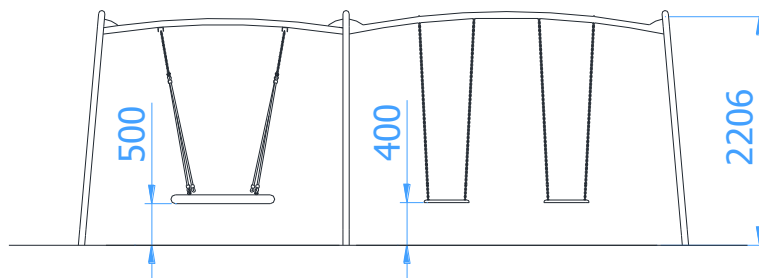
Catalogue numbers:  
2291, 2291A, 2291B, 2291C

It shall apply from: 21-07-2020

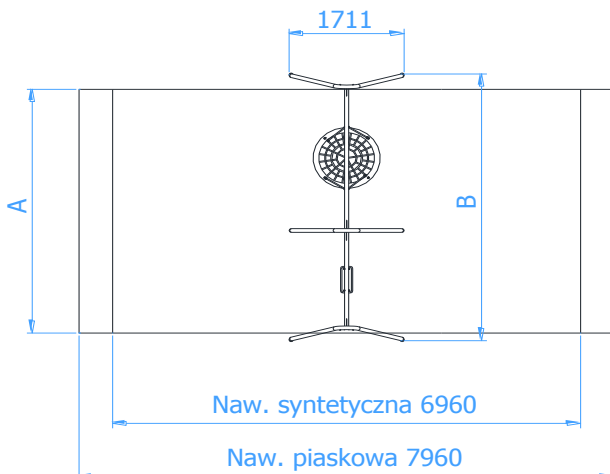
**Max. Free fall heigh:** 1,3 m



### Product dimensions:



### Impact area dimensions:



### Permissible impact attenuating surface

- Bark – grain size 20 to 80mm, min. depth 200
- Woodchip – grain size 5 to 30 mm, min. depth 200mm
- Sand or gravel – grain size 0,25 to 8 mm, min. depth 200 mm
- Synthetic surfaces in accordance whit tested HIC (EN 1177)

*The impact attenuating surface shall be installed on the whole of impact area.*

*A loose-fill safety surface shall be 100mm thicker than min. depth indicated above.*

*An impact area of the swing shall not overlap with the impact area of any other device on the playground*

Catalogue no.	Width A [mm]	Width B [mm]
2291	4077	4539
2291A	5267	5759
2291B	5267	5759
2291C	4762	5409

## TECHNICAL DATA SHEET

### Technical Description:

- A solid steel construction made of pipes:  $\varnothing 60,3 \times 2,6 \text{ mm}$  and  $\varnothing 30 \times 2 \text{ mm}$ ,
- Swing chains made of stainless steel  $\varnothing 5 \text{ mm}$ ,  $\varnothing 6 \text{ mm}$  and reinforced rope,
- The use of Teflon bushings ensures smooth swing. The swing system requires no maintenance,
- All steel elements are hot dip galvanized and painted with a structural, acrylic lacquer
- The set includes foundations made of concrete class C25/30,
- In case of applying a synthetic surface that is on the same level that the surrounding surface, an additional 0.5 m of obstacle-free space should be taken into account in both directions of movement of the swing.

### Product variants:

**2291 – Modular Bird's Nest Swing  
with Flat Seat**



**2291A – Modular Bird's Nest Swing  
with two Flat Seats**



**2291B – Modular Bird's Nest Swing  
with Flat Seat and Baby Seat**



**2291C – Double Bird's Nest Swing  
with two Bird's Nest Seats**

