

WHEELCHAIR ACCESSIBLE MERRY GO ROUND

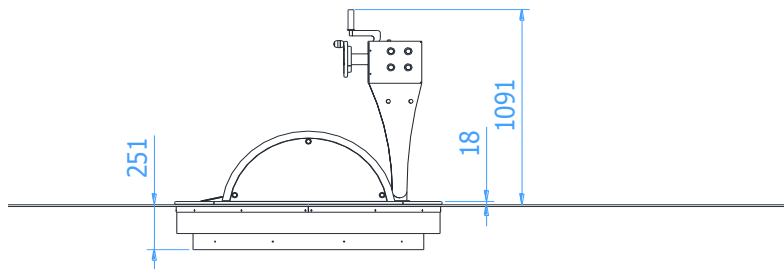
Catalogue number: 2306

It shall apply from: 03-02-2021

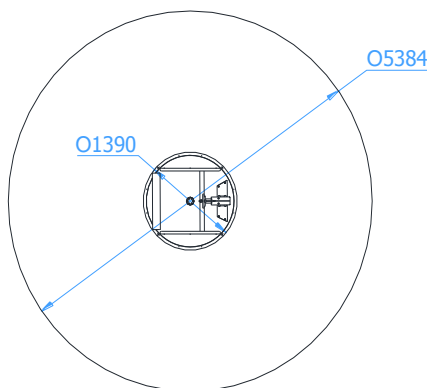
Max. free fall height:	0,02 m
Product Dimensions: (length x width x height)	1,39 x 1,39 x 1,09 m
Impact area: (length x width)	Ø5,39 m
Free zone:	22,8 m ²



Product dimensions



Impact area dimensions



Acceptable shock-absorbing surface:

- No requirements

Technical description

- A solid steel construction made of profiles: 40x40x3mm, pipe $\varnothing 76,1 \times 3,2$ mm, $\varnothing 40 \times 2,5$ mm, $\varnothing 38 \times 2,6$ mm and also of 5mm and 2mm steel sheet
- The side surfaces made of 6mm HPL sheet
- The steering wheel made of 19mm HDPE sheet
- The device is equipped with a drive system and a breaking system which protects against uncontrolled turning
- The platform made of an anti-slip, waterproof plywood, 21mm thick
- All steel elements are protected against corrosion
- Includes a foundation made of concrete class C25/30 which make installation easier

TECHNICAL DATA SHEET

Product visualizations

