



It shall apply from: 20-11-2020 r.

ASSEMBLY INSTRUCTION:

2308 Wheelchair Accessible Merry Go Round, 2-Person

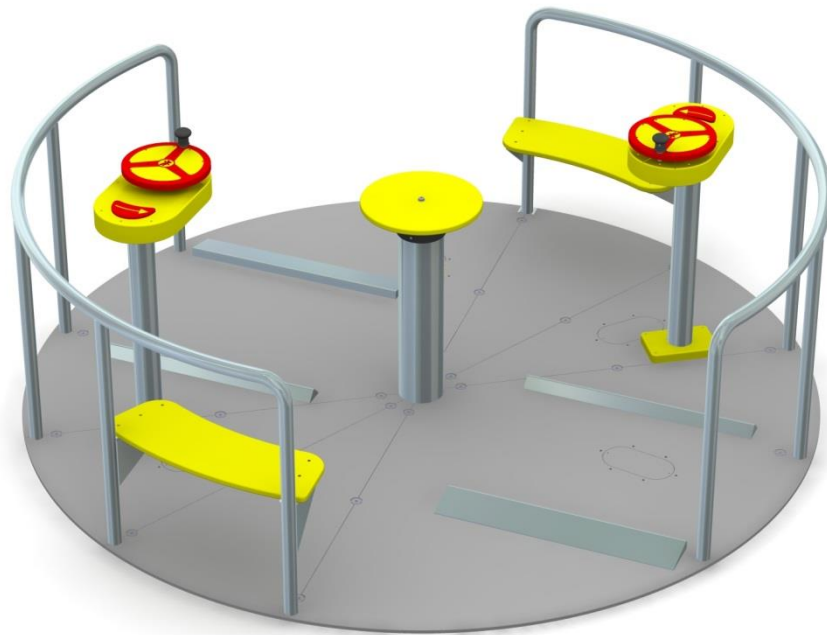


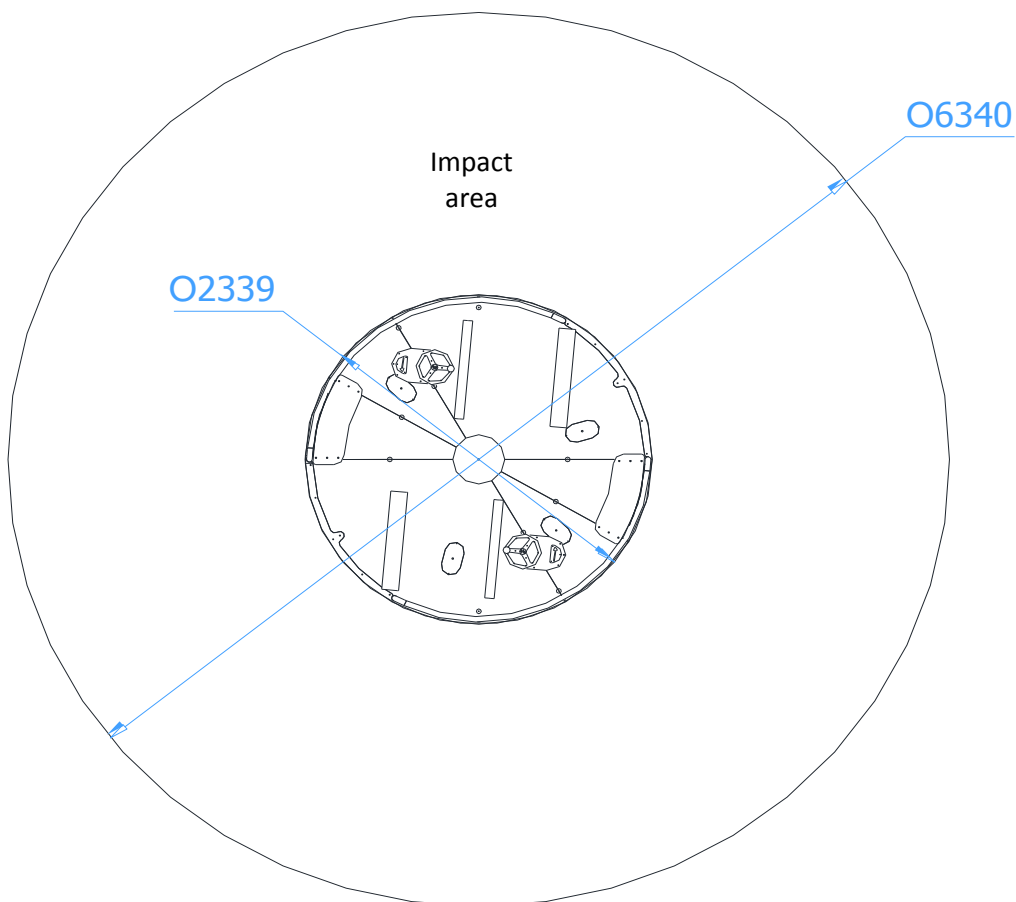
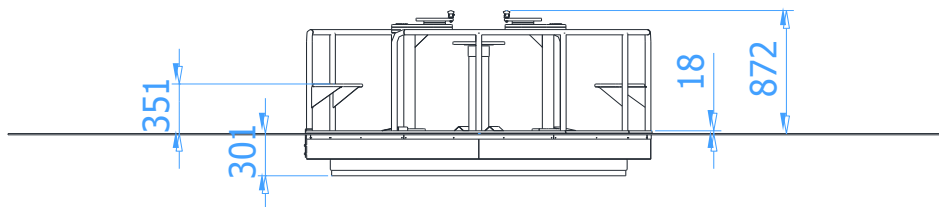


TABLE OF CONTENTS

INTRODUCTION	2
STAGE 1 – Preparatory work	3
STAGE 2 – Assembly of the construction	4
1. List of components	4
2. Assembly scheme	4

INTRODUCTION

- Maximum free fall height: 0,36 m
- Depth of laying foundations: 0,3 m
- Impact area: $\varnothing 6,34$ m

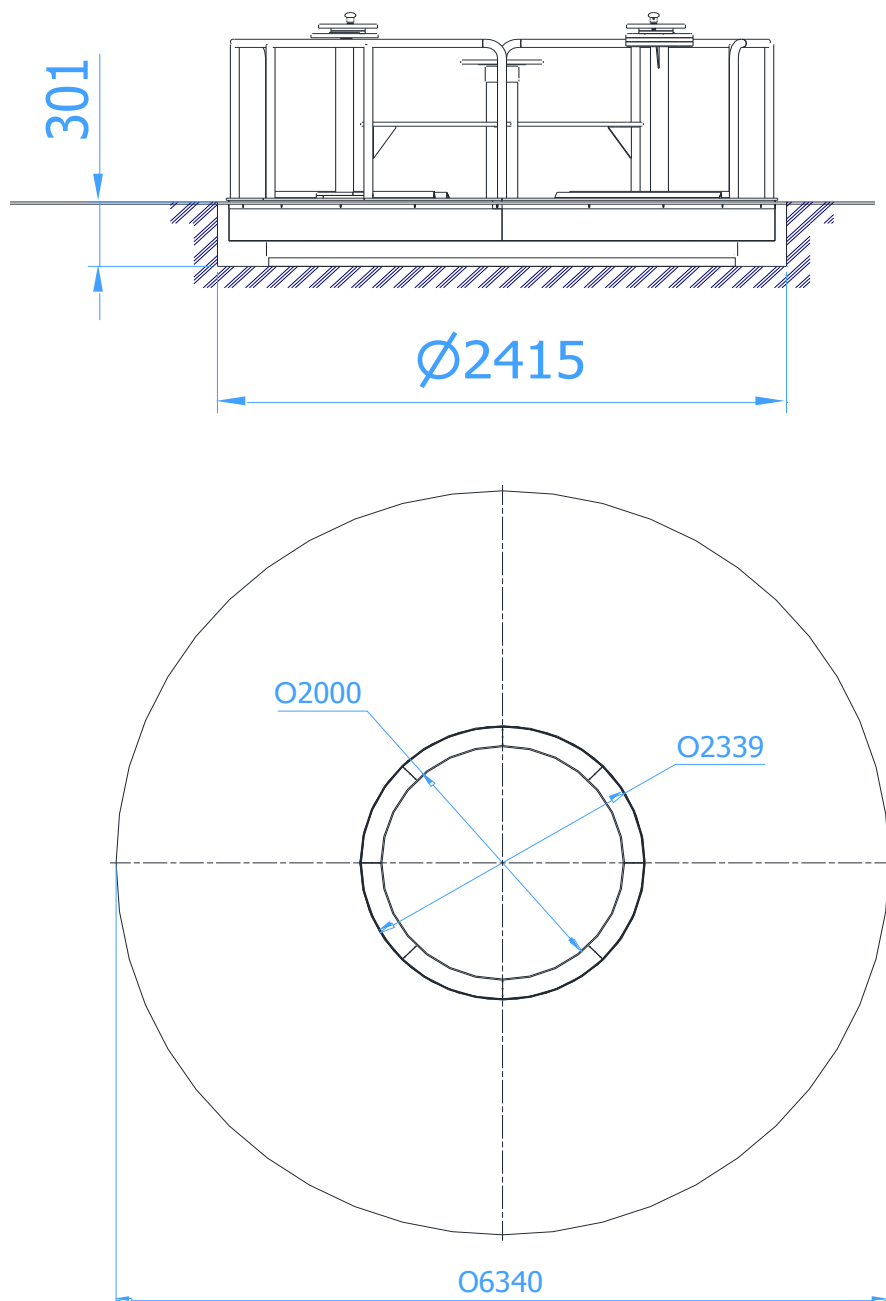




STAGE 1 - Preparatory work

- Secure the assembly site to keep others at a distance
- Position the construction in the selected location while maintaining required impact area

Foundations positions:



WARNING !

All installation activities shall be performed in accordance with health and safety standards
A foundation setup tolerance is ± 50 mm.



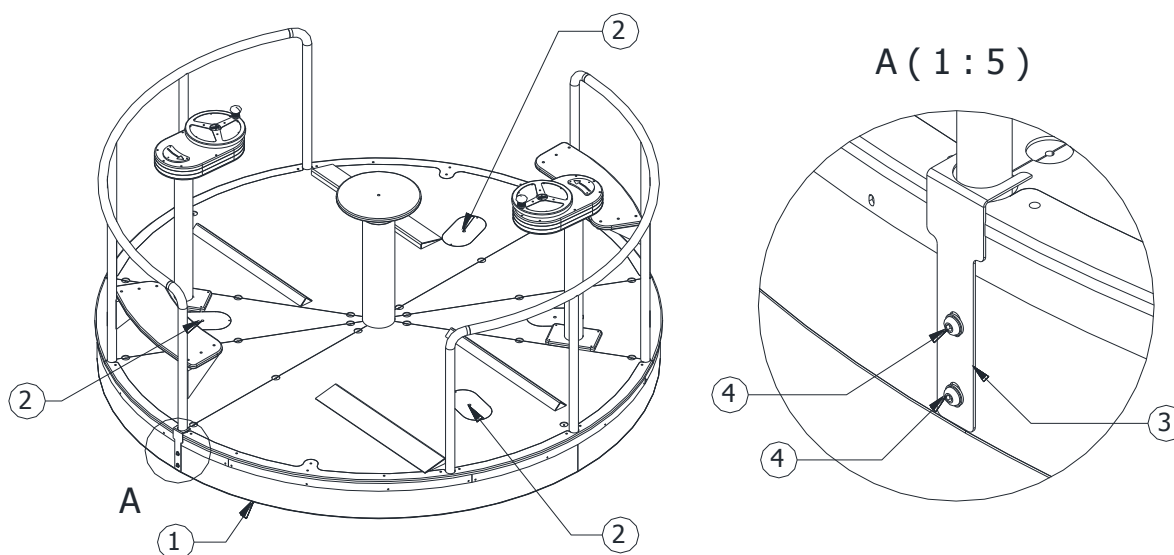
STAGE 2 – Assembly of the construction

1. List of components

No.	Name of component	Dimensions	Qty.	Norm
1	Inclusive merry-go-round 2-person		1	
2	Plug of mounting hole		3	
3	Rotation lock		1	
4	Mounting screw		2	

2. Assembly scheme

- State the location of the device
- Turf (if any) shall be removed and set aside
- Excavate holes for foundations with an appropriate depth
- Open the three plugs of mounting holes (item 2) by unscrewing two outer screws in each plug.



- Mount three transport belts to the concrete foundation of the carousel (M16 dowel), through the holes in platform.
- Put the device into the excavation
- Level and straighten out the construction (the upper Surface of the platform shall be maximum 18 mm above the ground).
- Remove the transport belts
- Remove the rotation lock of the device (item 3) by unscrewing screws (item 4).
- After removing the lock, screw the screws (item 4) again
- Fill in the holes, compact and level the surface to the ground level.
- Install the plugs of mounting holes again (item 2),
- Put the statutory plate