

JUNK SHIP ROCKER

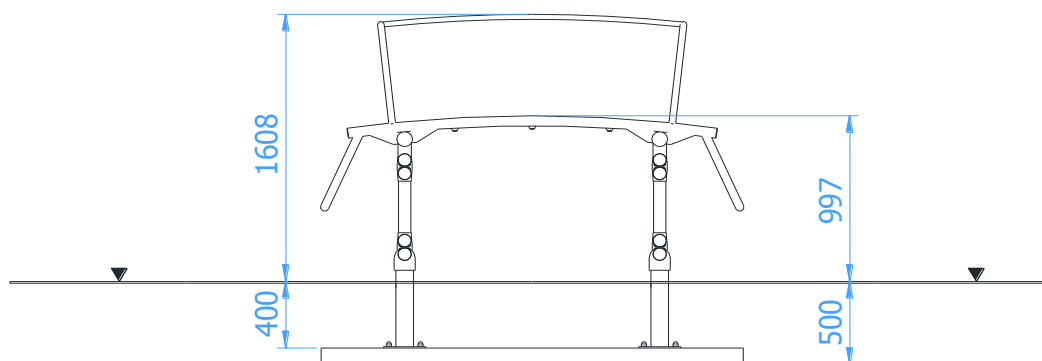
Catalogue number: 23205

It shall apply since: 28-02-2024

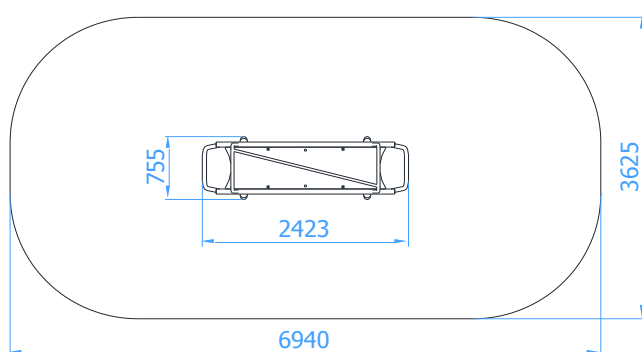
Max. free fall height:	0,99 m
Product Dimensions: (length x width x height)	2,48 x 0,78 x 1,61 m
Impact area (length x width)	5,94 x 2,63 m
Free zone	14,7 m ²



Product dimensions:



Impact area dimensions:



Acceptable shock-absorbing surface:

- Turf
- Bark – grain size 20 do 80 mm, min. depth 200 mm + 100mm
- Woodchip – grain size 5 do 30 mm, min. depth 200mm + 10mm
- Sand – grain size 0,2 do 2 mm, min. depth 200mm + 100mm
- Gravel – grain size 2 do 8 mm, min. depth 200 mm+ 100mm
- Synthetic surfaces in accordance whit tested HIC (EN 1177)

The impact attenuating surfacing shall be installed on the whole of impact area.

A loose-fill safety surface shall be 100mm thicker than min. depth indicated above.

Technical description

- Construction made of steel profiles: 70x70x3mm, 120x40x3mm and steel pipes: Ø89,3x3,2mm, Ø60,3x2,9mm, Ø48,3x2,9mm, Ø38x2,6mm i Ø30x2mm,
- The surface made of anti-slip, waterproof plywood, 18mm thick
- The device is equipped with the automatic, maintenance-free rubber stringing units
- All steel elements are protected against corrosion and painted with an acrylic lacquer
- The set includes a foundation made of concrete of class C25/30 which make installation easier

TECHNICAL DATA SHEET

Product visualization

