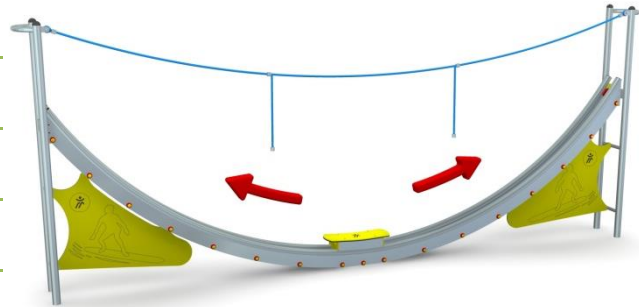


SKY SURFER BOARD RIDER

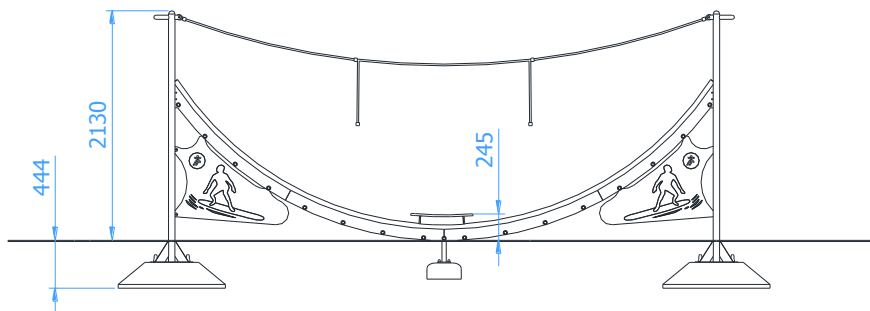
Catalogue number: 23500

It shall apply from: 16-03-2018

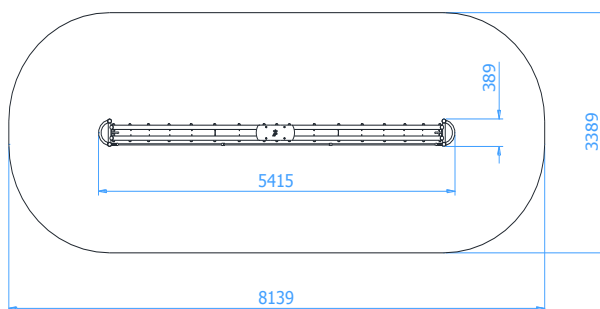
Max free fall height:	1,49 m
Product Dimensions: (length x width x height)	5,42 x 0,39 x 2,13 m
Impact area (length x width)	8,14 x 3,39 m
Free zone:	25,5 m ²



Product dimensions



Impact area dimensions



Acceptable shock-absorbing surface:

- Bark – grain size 20 do 80 mm, min. depth 200 mm + 100mm
- Woodchip – grain size 5 do 30 mm, min. depth 200mm + 100mm
- Sand – grain size 0,2 do 2 mm, min. depth 200mm + 100mm
- Gravel – grain size 2 do 8 mm, min. depth 200 mm+ 100mm
- Synthetic surfaces in accordance whit tested HIC (EN 1177)

The impact attenuating surfacing shall be installed on the whole of impact area.

A loose-fill safety surface shall be 100mm thicker than min. depth indicated above.

Technical description

- Construction made of stainless steel pipe $\varnothing 60,3 \times 2,6$ mm and $\varnothing 30 \times 2$ mm, and stainless steel sheet 4 mm thick.
- Armed rope $\varnothing 16$ mm thick
- Surface elements made of 8 mm HPL sheet
- Board equipped with maintenance-free bearing rollers
- Surface of the board made of anti-slip HDPE sheet 18 mm thick
- All steel elements are protected against corrosion and painted with an acrylic lacquer
- The set includes a foundation made of concrete of class C25/30 which make installation easier

TECHNICAL DATA SHEET

Product visualization

