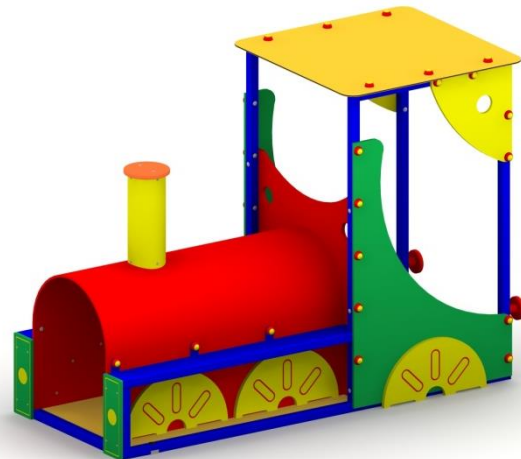


CHOO CHOO TRAIN KAJTUŚ

Catalogue number: 23800

It shall apply from: 20.02.2024 r.

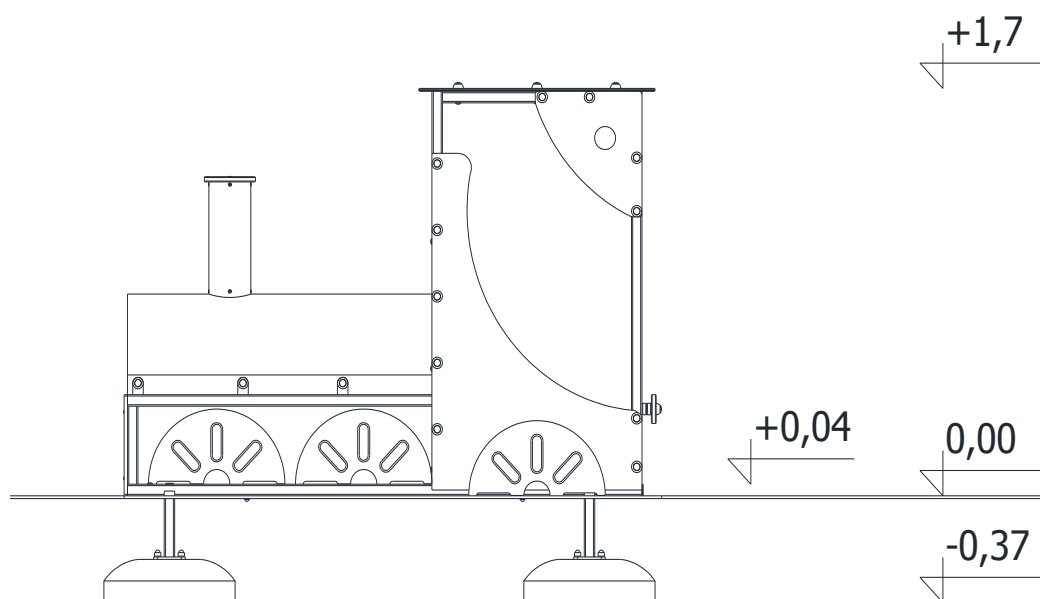
| | |
|---|----------------------|
| Users age: | 3 - 14 yo |
| Max. free fall height: | 0,04 m |
| Product Dimensions: (length x width x height) | 2,05 x 0,90 x 1,70 m |
| Impact area dimensions: (length x width) | 5,05 x 3,90 m |



Technical description

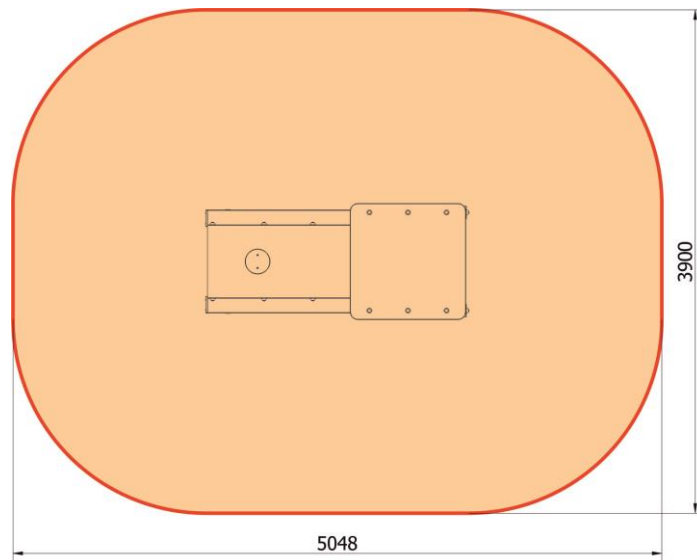
- Construction made of steel profiles 40x40x3mm, 120x40x3mm, 30x18x3mm, sheet metal 5mm thick and HDPE and HPL boards,
- Floor made of anti-slip, waterproof plywood 21mm thick,
- All steel elements are hot-dip galvanized and painted with an acrylic, structured lacquer,
- The set includes foundations made of concrete class C25/30.

Product dimensions



TECHNICAL DATA SHEET

Impact area dimensions



Permissible impact attenuating surface

- Turf
- Bark – grain size 20 do 80mm, min. depth 200
- Woodchip – grain size 5 do 30 mm, min. depth 200mm
- Sand – grain size 0,2 do 2 mm, min. depth 200mm
- Gravel – grain size 2 do 8 mm, min. depth 200 mm
- Synthetic surfaces in accordance with tested HIC (EN 1177)

The impact attenuating surfacing shall be installed on the whole of impact area.

