

SYSTEM
TYTAN

PYLON

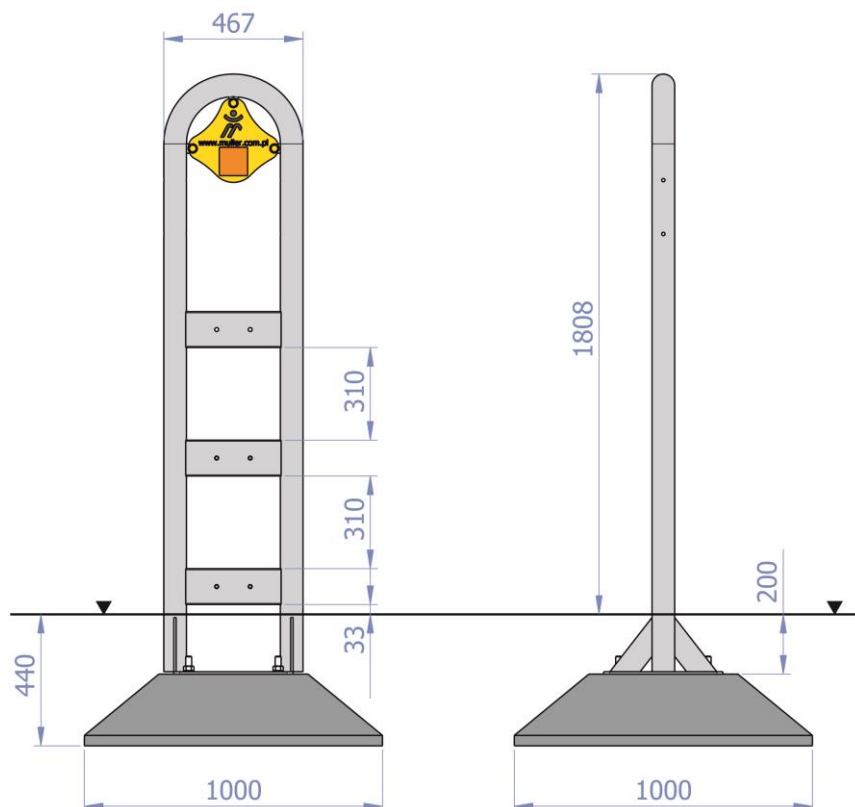
FOR SINGLE OR DOUBLE GYM STATION
Catalogue number: 26000

It shall apply from 24-01-2024

Product Dimensions:
(length x width x height) 0,48 x 0,08 x 1,81 m



Product dimensions



Technical description

- Pylon is a basic module for mounting 1 or 2 gym devices of System Tytan series
- A solid steel construction made of $\varnothing 76,1 \times 3,2$ mm pipe, $120 \times 40 \times 3$ mm profiles and 8 mm sheet metal
- Includes a decorative 6mm HPL board with the logo and a space for instruction on how to use
- All steel elements are hot-dip galvanized and painted with an acrylic, structured lacquer
- Includes a foundation made of concrete of class C25/30 which make installation easier