

SYSTEM
TYTAN

PYLON 3

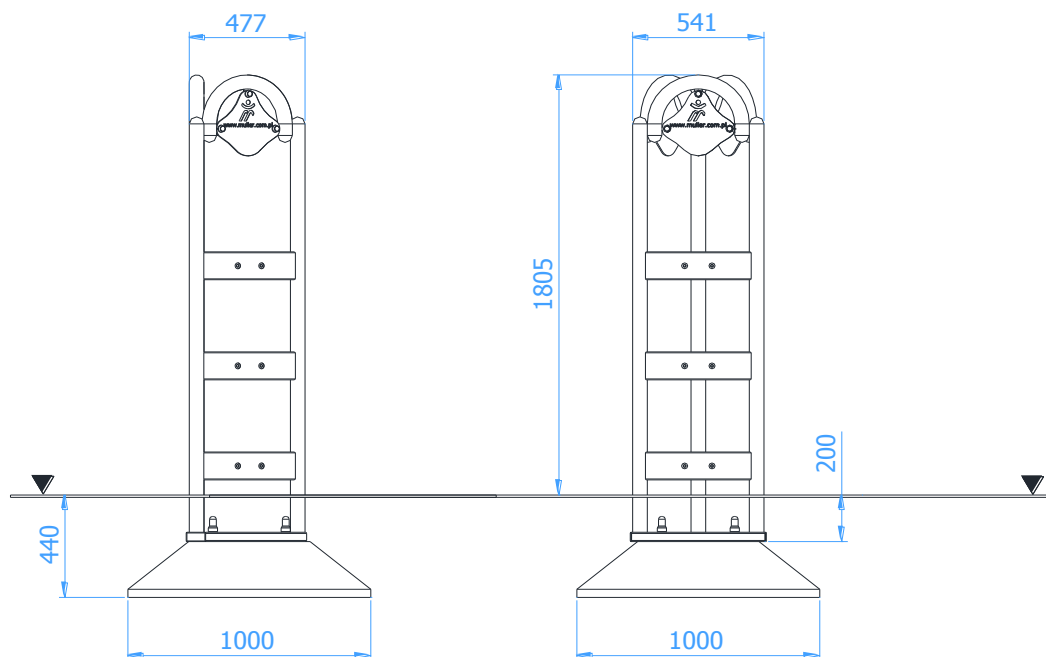
FOR TRIPLE GYM STATION
Catalogue number: 26030

It shall apply from: 24-01-2024

Product Dimensions:
(length x width x height) 0,48 x 0,55x 1,81 m



Product dimensions



Technical description

- A basic module for mounting 1 or 2 gym devices of System Tytan series excluding: Pendulum, Pendulum II, Shears, Bench with Leg Curl, Exercise Bench, Back Massager, Tai Chi Discs 3, Tai Chi Discs 4, Air Walker
- A solid steel construction made of $\varnothing 60,3 \times 2,9$ mm pipe and profile: 120x40x3 mm,
- Includes a decorative 6 mm HPL board with the logo and a space for instruction on how to use
- All steel elements are hot-dip galvanized and painted with an acrylic, structured lacquer
- Includes a foundation made of concrete of class C25/30 which make installation easier