

SYSTEM
TYTAN

BACK EXTENSION

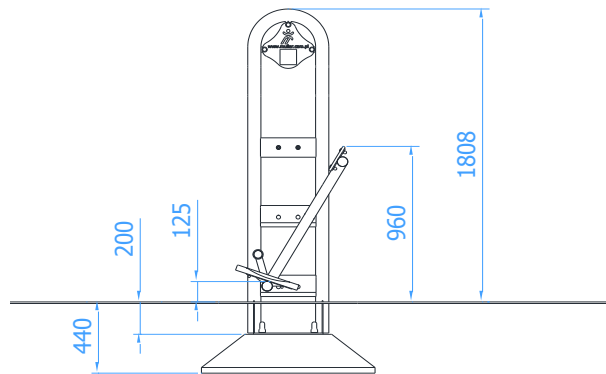
Catalogue number: 26079

It shall apply from: 24-01-2024

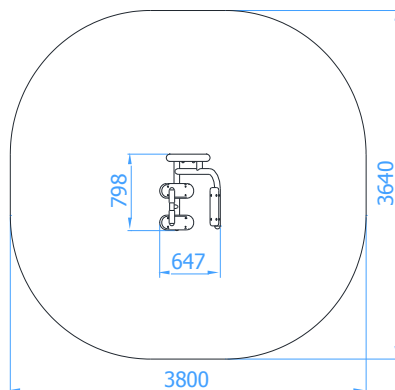
Max. free fall height:	0,22 m
Product dimensions: (length x width x height)	0,65 x 0,80 x 1,81 m
Impact area dimensions: (length x width)	3,80 x 3,64 m
Free zone:	11,8 m ²



Product dimensions



Impact area dimensions



Acceptable shock-absorbing surface:

- No requirements

Technical description

- A solid steel construction made of round pipes $\varnothing 60,3 \times 2,9 \text{ mm}$ and $\varnothing 38 \times 2,6 \text{ mm}$
- The back rest made of durable 15mm HDPE sheet
- Anti-slip footrests made of epoxy resin
- All steel elements are hot-dip galvanized and painted with an acrylic, structured lacquer
- The device should be mounted to the Pylon of Tytan System series

TECHNICAL DATA SHEET

Working Muscles

