

TYTAN
SYSTEM

CROSS-COUNTRY SKI MACHINE

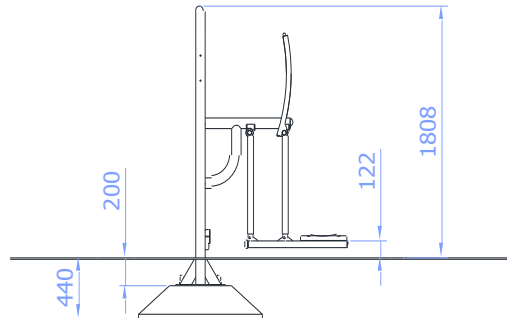
Catalogue number: 26089

It shall apply from: 24-01-2024

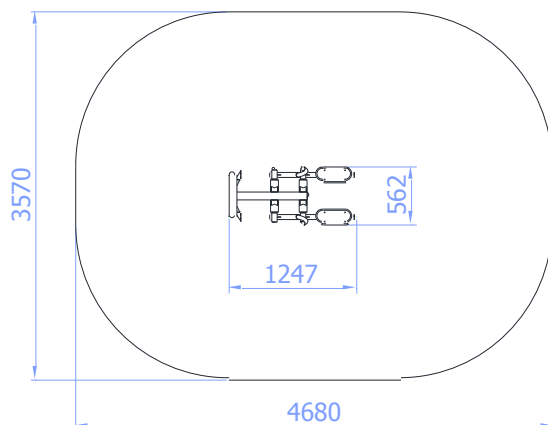
Max. free fall height:	0,32 m
Product dimensions: (length x width x height)	1,25 x 0,57x 1,81 m
Impact area dimensions: (length x width)	4,68 x 3,57 m
Free zone:	14,7 m ²



Product dimensions



Impact area dimensions



Acceptable shock-absorbing surface

- No requirements

Technical description

- A solid steel construction made of round pipes $\varnothing 76,1 \times 3,2$ mm
- Arms of the device made of $\varnothing 48,3 \times 2,9$ mm pipe
- Handles made of $\varnothing 38 \times 2,6$ mm pipe
- Anti-slip footrests made of epoxy resin
- All steel elements are hot-dip galvanized and painted with an acrylic, structured lacquer
- The device should be mounted to the Pylon of Tytan System series

TECHNICAL DATA SHEET

Working muscles

