

TECHNICAL DATA SHEET

SYSTEM
TYTAN

ROWER

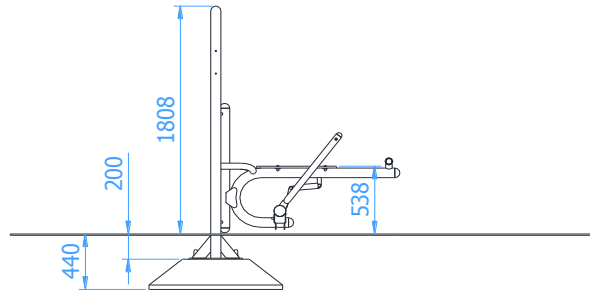
Catalogue number: 26109

It shall apply from: 24-01-2024

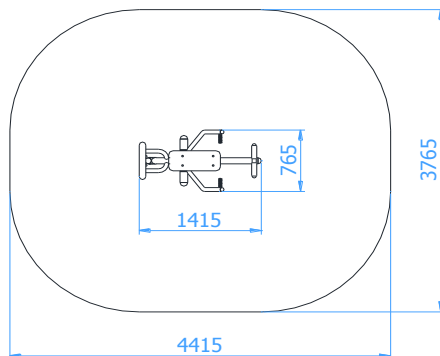
Max. free fall height:	0,54 m
Product dimensions: (length x width x height)	1,42 x 0,77 x 1,81 m
Impact area dimensions: (length x width)	4,42 x 3,77 m
Free zone:	14,2 m ²



Product dimensions



Impact area dimensions



Acceptable shock-absorbing surface:

- No requirements

Technical Description

- A solid steel construction made of round pipes $\varnothing 76,1 \times 3,2 \text{ mm}$
- An arm of the device made of $\varnothing 48,3 \times 2,9 \text{ mm}$ pipe with handles of $\varnothing 16$ rod covered by an artificial material
- The leg rest made of $\varnothing 48,3 \times 2,9 \text{ mm}$ pipe covered by an artificial material
- The seat made of durable 15mm HDPE sheet
- Automatic, maintenance-free rubber stringing units provide incremental rise of resistant of gym device
- The device is equipped with hydraulic shock absorbers providing seamless motion and safety return to starting position
- All steel elements are hot-dip galvanized and painted with an acrylic, structured lacquer
- The device should be mounted to the Pylon of Tytan System series

TECHNICAL DATA SHEET

Working muscles

