

## SYSTEM TYTAN

### PENDULLUM II

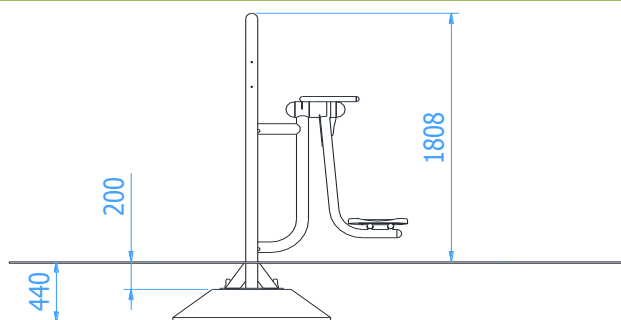
Catalogue number: 26119

It shall apply from: 14-03-2024

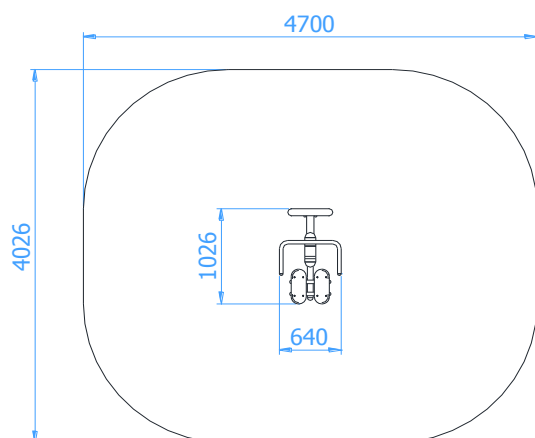
<b>Max. free fall height:</b>	0,87 m
<b>Product dimensions:</b> (length x width x height)	1,03 x 0,64 x 1,81 m
<b>Impact area dimensions:</b> (length x width)	4,03 x 4,70 m
<b>Free zone:</b>	16,9 m <sup>2</sup>



#### Product dimensions



#### Impact area dimensions



Acceptable shock-absorbing surface:

- No requirements

#### Technical description

- A solid steel construction made of round pipes  $\varnothing 76,1 \times 3,2 \text{ mm}$  and  $48,3 \times 2,9 \text{ mm}$
- An arm of the device made of pipes  $\varnothing 60,3 \times 2,9 \text{ mm}$  and  $\varnothing 38 \times 2,6 \text{ mm}$
- Anti-slip footrests made of epoxy resin
- The handle made of  $\varnothing 38 \times 2,6 \text{ mm}$  pipe provides stable support during exercises
- All steel elements are hot-dip galvanized and painted with an acrylic, structured lacquer
- The device should be mounted to the Pylon of Tytan System series

# TECHNICAL DATA SHEET

## Working muscles

