

TECHNICAL DATA SHEET

SYSTEM
TYTAN

HORSE RIDER

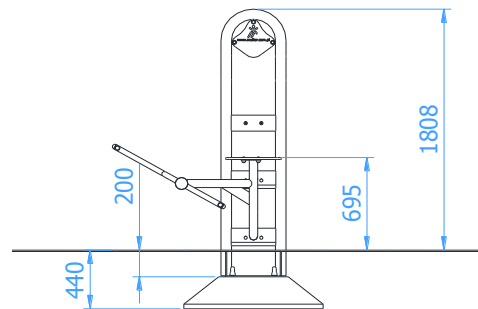
Catalogue number: 26129

It shall apply from: 24-01-2024

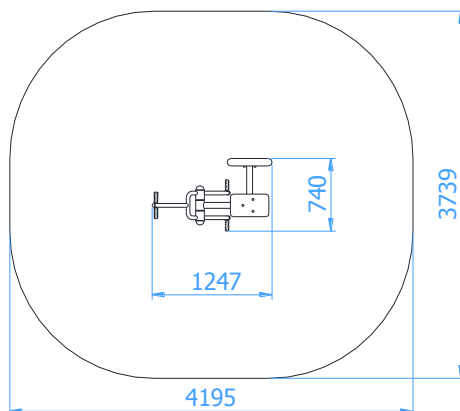
Max. free fall height:	0,7 m
Product dimensions (length x width x height)	1,25 x 0,74 x 1,81 m
Impact area dimensions (length x width)	4,20 x 3,74 m
Free zone:	13,3 m ²



Product dimensions



Impact area dimensions



Acceptable shock-absorbing surface:

- No requirements

Technical Description

- A solid steel construction made of round pipes $\varnothing 60,3 \times 2,9 \text{ mm}$
- An arm of the device made of $\varnothing 38 \times 2,6 \text{ mm}$ pipe
- The seat made of durable 15mm HDPE sheet
- Handles made of $\varnothing 16$ rod covered by an artificial material
- The device is equipped with maintenance-free, automatic rubber stringing units
- All steel elements are hot-dip galvanized and painted with an acrylic, structured lacquer
- The device should be mounted to the Pylon of Tytan System series

TECHNICAL DATA SHEET

Working muscles

