

TECHNICAL DATA SHEET

SYSTEM
TYTAN

SHEARS

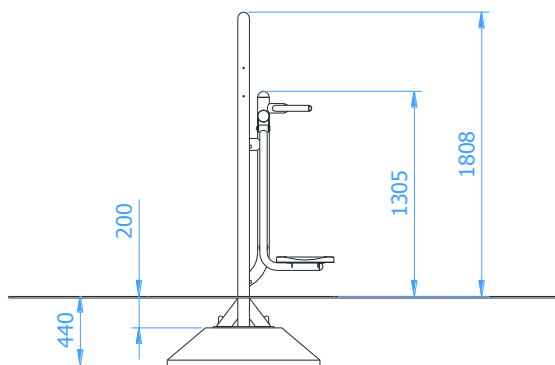
Catalogue number: 26139

It shall apply from: 24-01-2024

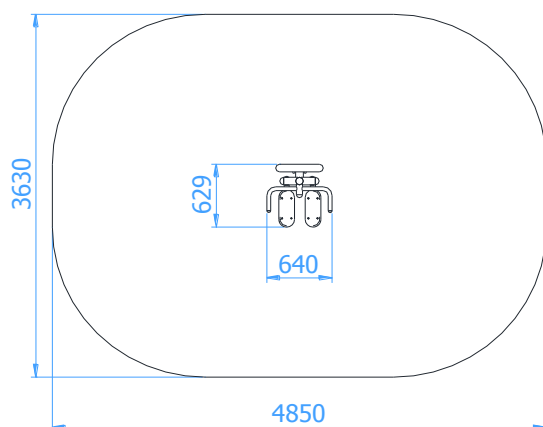
Max. free fall height:	0,62 m
Product dimensions: (length x width x height)	0,63 x 0,64 x 1,81 m
Impact area dimensions: (length x width)	3,63 x 4,85 m
Free zone:	15,6 m ²



Product dimensions



Impact area dimensions



Acceptable shock-absorbing surface

- No requirements

Technical description

- A solid steel construction made of round pipes $\varnothing 76,1 \times 3,2 \text{ mm}$ and $\varnothing 48,3 \times 2,9 \text{ mm}$
- An arm of the device made of $\varnothing 48,3 \times 2,9 \text{ mm}$ pipes
- Anti-slip footrests made of epoxy resin
- The handle made of $\varnothing 38 \times 2,6 \text{ mm}$ pipe provides stable support during exercises
- All steel elements are hot-dip galvanized and painted with an acrylic, structured lacquer
- The device should be mounted to the Pylon of Tytan System series

TECHNICAL DATA SHEET

Working muscles

