

TYTAN
SYSTEM

PREACHER CURL

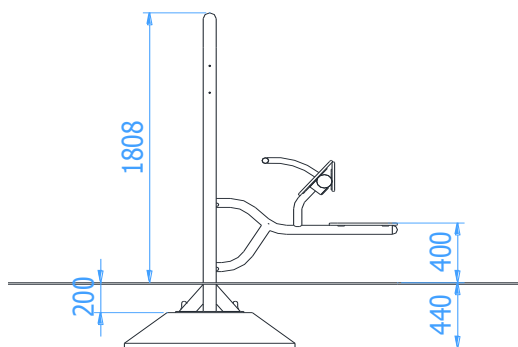
Catalogue number: 26169

It shall apply from: 24-01-2024

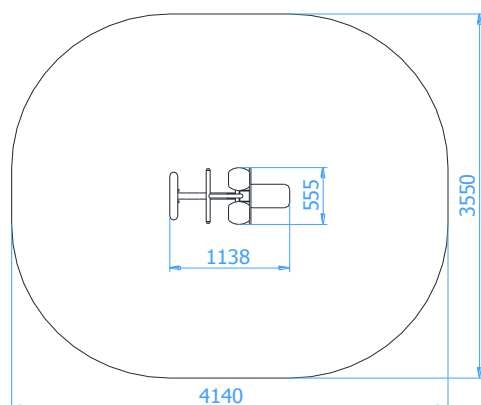
Max. free fall height:	0,40 m
Product dimensions: (length x width x height)	1,14 x 0,55 x 1,81 m
Impact area dimensions: (length x width)	4,14 x 3,55 m
Free zone:	12,7 m ²



Product dimensions



Impact area dimensions



Acceptable shock-absorbing surface:

- No requirements

Technical description

- A solid steel construction made of round pipe $\varnothing 60,3 \times 2,9 \text{ mm}$, $\varnothing 48,3 \times 2,9 \text{ mm}$ and $\varnothing 38 \times 2,6 \text{ mm}$
- The seat and the surface elements made of durable 15mm HDPE sheet
- Automatic, maintenance-free rubber stringing units provide incremental rise of resistant of gym device
- All steel elements are hot-dip galvanized and painted with an acrylic, structured lacquer
- The device should be mounted to the Pylon of Tytan System series

TECHNICAL DATA SHEET

Working muscles

