

SYSTEM
TYTAN

WHEELCHAIR ACCESSIBLE BUTTERFLY

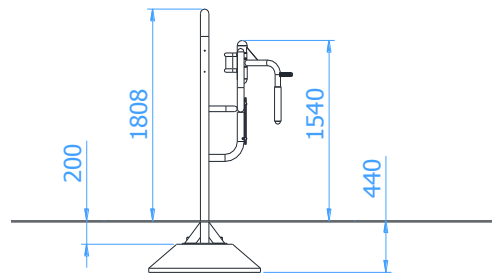
Catalogue number: 26179

It shall apply from: 24-01-2024

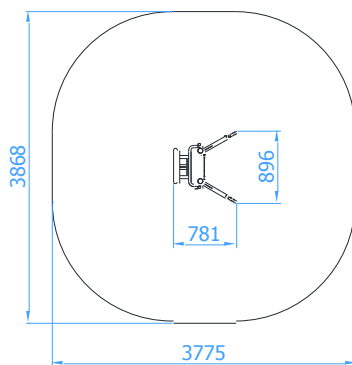
Max. free fall height:	Does not apply
Product dimensions: (length x width x height)	0,79 x 0,90 x 1,81 m
Impact area dimensions: (length x width)	3,78 x 3,87 m
Free zone:	12 m ²



Product dimensions



Impact area dimensions



Acceptable shock-absorbing surface:

- No requirements

Technical description

- The device is designed for people with disabilities
- A solid steel construction made of round pipes $\varnothing 60,3 \times 2,9 \text{ mm}$
- The back rest made of durable 15mm HDPE sheet
- An arm of the device made of $\varnothing 48,3 \times 2,9 \text{ mm}$ pipe with handles of $\varnothing 16$ rod covered by an artificial material
- Automatic rubber stringing units provide incremental rise of resistant of gym device
- The device is equipped with hydraulic shock absorbers providing seamless motion and safety return to starting position
- All steel elements are hot-dip galvanized and painted with an acrylic, structured lacquer
- The device should be mounted to the Pylon of Tytan System series

TECHNICAL DATA SHEET

Working muscles

