



## WHEELCHAIR ACCESSIBLE SITTING PRESS

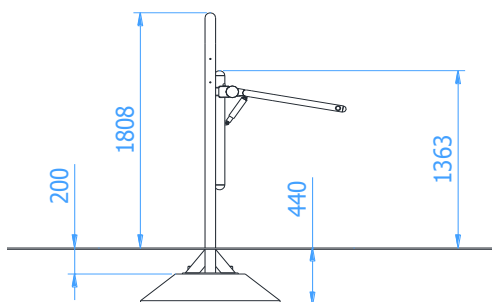
Catalogue number: 26189

It shall apply from: 24-01-2024

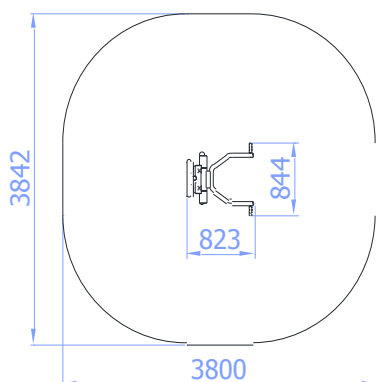
<b>Max. free fall height::</b>	Does not apply
<b>Product dimensions:</b> (length x width x height)	1,01 x 0,84 x 1,81 m
<b>Impact area dimensions:</b> (length x width)	3,80 x 3,85 m
<b>Free zone:</b>	12,5m <sup>2</sup>



### Product dimensions



### Impact area dimensions



Acceptable shock-absorbing surface:

- No requirements

### Technical description

- The device is designed for people with disabilities
- A solid steel construction made of round pipe  $\varnothing 76,1 \times 3,2\text{mm}$
- An arm of the device made of  $\varnothing 48,3 \times 2,9\text{mm}$  pipe with handles of  $\varnothing 16$  rod covered by an artificial material
- Automatic rubber stringing units provide incremental rise of resistant of gym device
- The device is equipped with hydraulic shock absorbers providing seamless motion and safety return to starting position
- All steel elements are hot-dip galvanized and painted with an acrylic, structured lacquer
- The device should be mounted to the Pylon of Tytan System series

# TECHNICAL DATA SHEET

## Working muscles

