

# TECHNICAL DATA SHEET

**SYSTEM**  
**TYTAN**

## BENCH PRESS

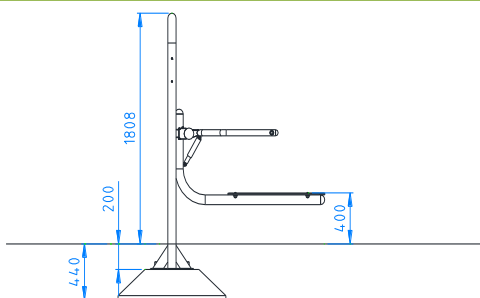
Catalogue number: 26209

It shall apply from: 24-01-2024

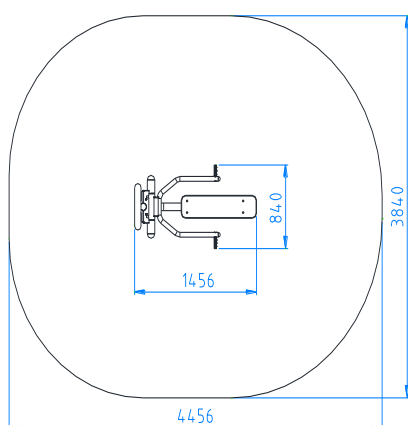
<b>Max. free fall height:</b>	0,4 m
<b>Product dimensions:</b> (length x width x height)	1,46 x 0,84 x 1,81 m
<b>Impact area dimensions:</b> (length x width)	4,46 x 3,84 m
<b>Free zone:</b>	14,6 m <sup>2</sup>



### Product dimensions



### Impact area dimensions



Acceptable shock-absorbing surface:

- No requirements

### Technical description

- A solid steel construction made of round pipe  $\varnothing 76,1 \times 3,2$ mm
- An arm of the device made of  $\varnothing 48,3 \times 2,9$ mm pipe with handles of  $\varnothing 16$  rod covered by an artificial material
- The seat made of durable 15mm HDPE sheet
- Automatic rubber stringing units provide incremental rise of resistant of gym device
- The device is equipped with hydraulic shock absorbers providing seamless motion and safety return to starting position
- All steel elements are hot-dip galvanized and painted with an acrylic, structured lacquer
- The device should be mounted to the Pylon of Tytan System series

# TECHNICAL DATA SHEET

## Working muscles

