

SYSTEM
TYTAN

LAT PULL DOWN

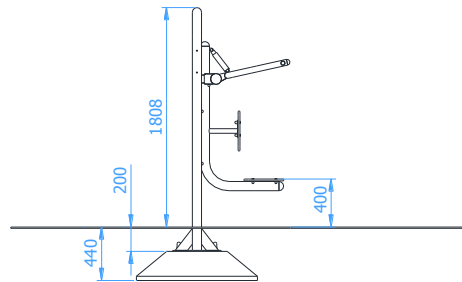
Catalogue number: 26359

It shall apply from:: 24-01-2024

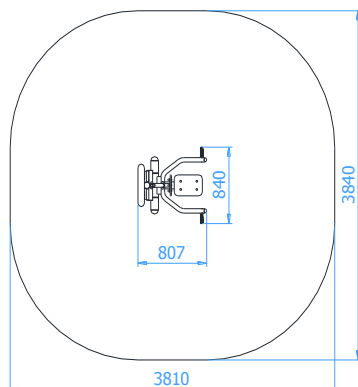
Max. free fall height:	0,40 m
Product dimensions (length x width x height)	0,81 x 0,84 x 1,81 m
Impact area dimensions: (length x width)	3,81 x 3,84 m
Free zone:	13,5 m ²



Product dimensions



Impact area dimensions



Acceptable shock-absorbing surface:

- No requirements

Technical description

- A solid steel construction made of round pipe $\varnothing 76,1 \times 3,2$ mm
- An arm of the device made of $\varnothing 48,3 \times 2,9$ mm pipe with handles of $\varnothing 16$ rod covered by an artificial material
- The seat and the back rest made of durable 15mm HDPE sheet
- Automatic, maintenance-free rubber stringing units provide incremental rise of resistant of gym device
- The device is equipped with hydraulic shock absorbers providing seamless motion and safety return to starting position
- All steel elements are hot-dip galvanized and painted with an acrylic, structured lacquer
- The device should be mounted to the Pylon of Tytan System series

TECHNICAL DATA SHEET

Working muscles

