

SYSTEM
TYTAN

BACK MASSAGER

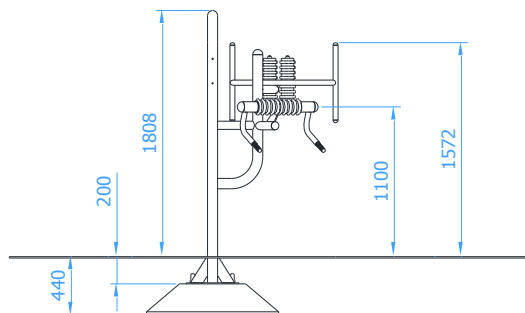
Catalogue number: 26509

It shall apply from: 24-01-2024

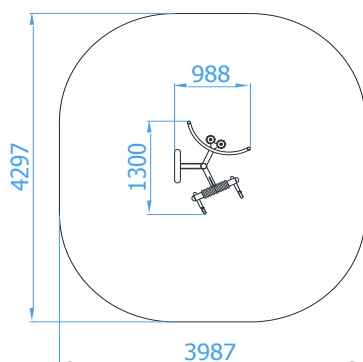
Max. free fall height:	Does not apply
Product dimensions (length x width x height)	0,99 x 1,30 x 1,81 m
Impact area dimensions: (length x width)	3,99 x 4,30 m
Free zone:	13,6 m ²



Product dimensions



Impact area dimensions



Acceptable shock-absorbing surface:

- No requirements

Technical description

- A solid steel construction made of round pipe $\varnothing 76,1 \times 3,2$ mm,
- The massaging rollers made of durable 15mm HDPE sheet
- The handles made of pipe covered by an artificial material
- All steel elements are hot-dip galvanized and painted with an acrylic, structured lacquer
- The device should be mounted to the Pylon of Tytan System series

TECHNICAL DATA SHEET

Working muscles

