

TECHNICAL DATA SHEET

SYSTEM
TYTAN

AIR WALKER

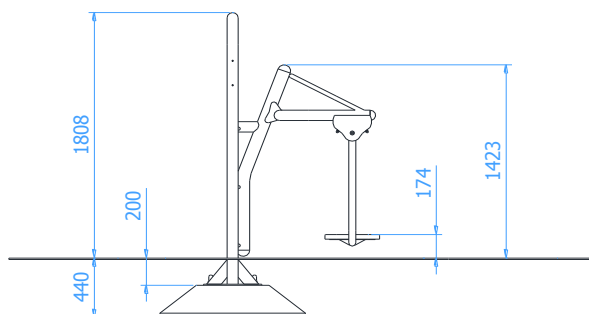
Catalogue number: 26709

It shall apply from: 24-01-2024

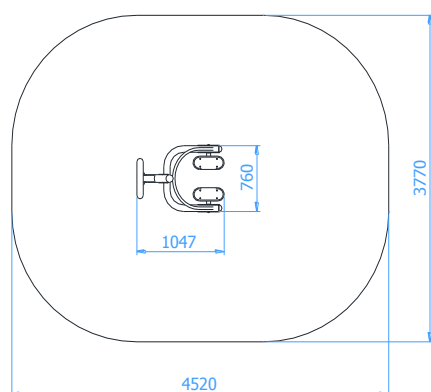
Max. free fall height:	0,74 m
Product dimensions (length x width x height)	1,05 x 0,76 x 1,81 m
Impact area dimensions: (length x width)	4,52 x 3,77 m
Free zone:	15,1 m ²



Product dimensions



Impact area dimensions



Acceptable shock-absorbing surface:

- No requirements

Technical description

- A solid steel construction made of round pipes $\varnothing 88,9 \times 3,2\text{mm}$ and $\varnothing 76,1 \times 3,2\text{mm}$,
- An arm of the device made of $\varnothing 48,3 \times 2,9\text{mm}$ pipe with anti-slip footrests of epoxy resin
- The handle made of $\varnothing 30 \times 2\text{mm}$ pipe provides stable support during exercises
- All steel elements are hot-dip galvanized and painted with an acrylic, structured lacquer
- The device should be mounted to the Pylon of Tytan System series

TECHNICAL DATA SHEET

Working muscles

