

TECHNICAL DATA SHEET

SYSTEM
TYTAN

SPINNING BIKE

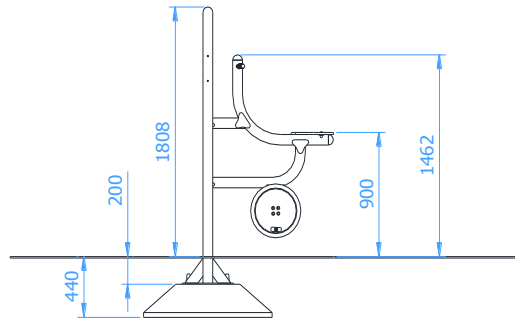
Catalogue number: 26759

It shall apply from: 24-01-2024

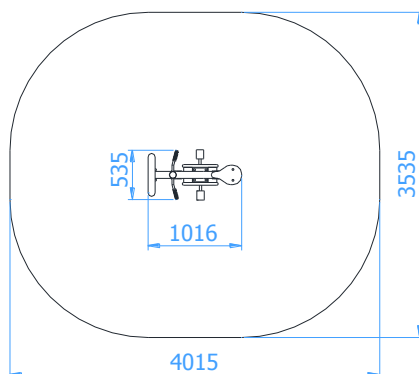
Max. free fall height:	0,90 m
Product dimensions (length x width x height)	1,02 x 0,54 x 1,81 m
Impact area dimensions: (length x width)	4,02 x 3,54 m
Free zone:	11,9 m ²



Product dimensions



Impact area dimensions



Acceptable shock-absorbing surface:

- No requirements

Technical description

- A solid steel construction made of round pipes $\varnothing 76,1 \times 3,2\text{mm}$
- The handle made of $\varnothing 20$ rod covered by an artificial material
- The seat and the back rest made of durable 15mm HDPE sheet
- The device mechanism bases on bearings which shall not require a maintenance
- Resistance regulation
- All steel elements are hot-dip galvanized and painted with an acrylic, structured lacquer
- The device should be mounted to the Pylon of Tytan System series

TECHNICAL DATA SHEET

Working muscles

