

## SYSTEM TYTAN

### RECUMBENT BIKE

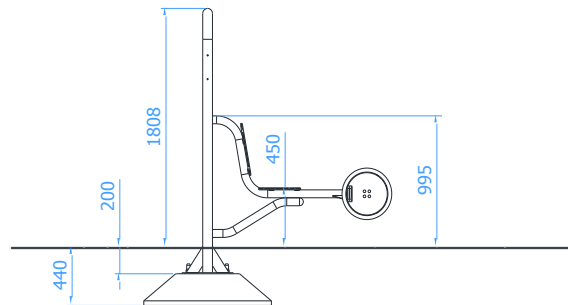
Catalogue number: 26769

It shall apply from: 24-01-2024

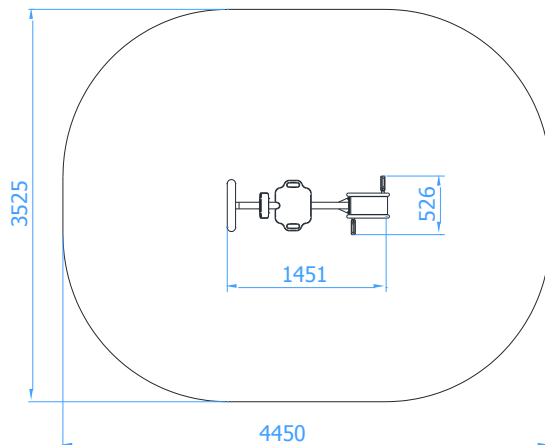
<b>Max. free fall height:</b>	0,45 m
<b>Product dimensions</b> (length x width x height)	1,45 x 0,53 x 1,81 m
<b>Impact area dimensions:</b> (length x width)	4,45 x 3,53 m
<b>Free zone:</b>	13,8 m <sup>2</sup>



#### Product dimensions



#### Impact area dimensions



Acceptable shock-absorbing surface:

- No requirements

#### Technical description

- Steel construction made of round pipes  $\varnothing 60,3 \times 2,9$ mm,
- The seat and the back rest made of durable 15mm HDPE board,
- The device mechanism bases on bearings which shall not require a maintenance,
- Resistance regulation,
- All steel elements are hot-dip galvanized and painted with an acrylic, structured lacquer,
- The device shall be mounted to the Pylon of Tytan System series.

## Working muscles

