

TECHNICAL DATA SHEET

SYSTEM
TYTAN

TAI CHI DISCS 3

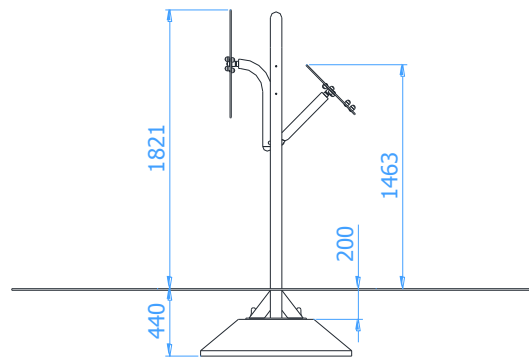
Catalogue number: 26859

It shall apply from: 24-01-2024

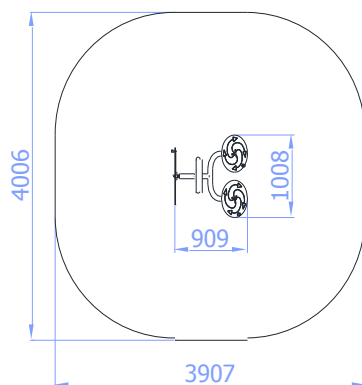
Max. free fall height:	Does not apply
Product dimensions (length x width x height)	0,87 x 1,01 x 1,83 m
Impact area dimensions: (length x width)	3,91 x 4,01 m
Free zone:	13,7 m ²



Product dimensions



Impact area dimensions



Acceptable shock-absorbing surface:

- No requirements

Technical description

- A solid steel construction made of round pipes $\varnothing 76,1 \times 3,2$ mm
- The discs made of 8 mm HPL sheet
- The device mechanism bases on bearings which shall not require a maintenance
- All steel elements are hot-dip galvanized and painted with an acrylic, structured lacquer
- The device should be mounted to the Pylon of Tytan System series

TECHNICAL DATA SHEET

Working muscles

