

# TECHNICAL DATA SHEET

**SYSTEM**  
**TYTAN**

## LADDER

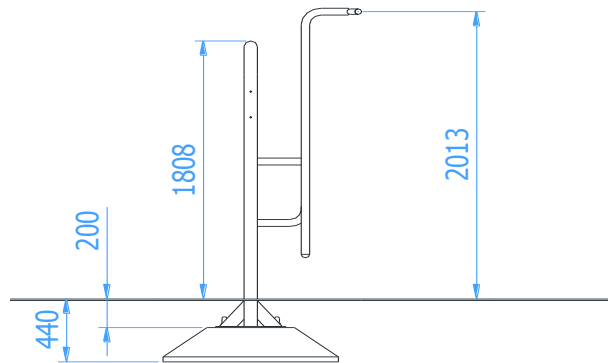
Catalogue number: 26909

It shall apply from: 24-01-2024

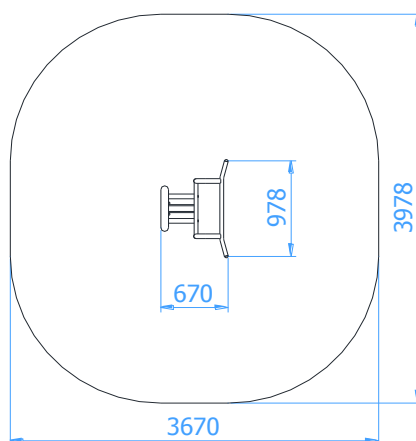
<b>Max. free fall height:</b>	1,04 m
<b>Product dimensions:</b> (length x width x height)	0,67 x 0,98 x 2,04 m
<b>Impact area dimensions:</b> (length x width)	3,67 x 3,98 m
<b>Free zone:</b>	12,6 m <sup>2</sup>



### Product dimensions



### Impact area dimensions



### Acceptable shock-absorbing surface

- Concrete/stone surface
- Bituminous surface
- Upper soil layer
- Turf
- Bark – grain size 20 do 80mm, min. depth 200
- Woodchip – grain size 5 do 30 mm, min. depth 200mm
- Sand – grain size 0,2 do 2 mm, min. depth 200mm
- Gravel – grain size 2 do 8 mm, min. depth 200 mm
- Synthetic surfaces in accordance whit tested HIC (EN 1177)

*The impact attenuating surfacing shall be installed on the whole of impact area.*

*A loose-fill safety surface shall be 100mm thicker than min. depth indicated above.*

### Technical description

- A solid steel construction made of round pipes  $\varnothing 48,3 \times 2,9 \text{ mm}$
- The rungs of ladder made of  $\varnothing 38 \times 2,6 \text{ mm}$  pipes
- The device intended to training arm muscles. May be used as a support for stretching exercises
- All steel elements are hot-dip galvanized and painted with an acrylic, structured lacquer
- The device should be mounted to the Pylon of Tytan System series

# TECHNICAL DATA SHEET

## Working muscles

