

Assembly instruction



Product name:
Ping Pong Table

Date create:
2010-04-29

Code:
3200

Destination:
Sport

Scale:
1:50

Version:
In-Ground Mounted

General principles

The device shall be mounted in accordance with the site layout plan or with the following principles:

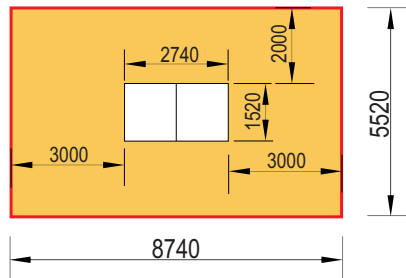
- Secure the assembly site to keep others at a distance
- Designate a precise location of the assembly having regard to an impact area of the other adjacent equipment
- During the assembly works, follow the original assembly instruction of the particular equipment
- The table shall be mounted on a level ground, immediately after delivery to the mounting location
- The installation shall be performed by using appropriate tools and technical means

Assembly method

1. The assembly of the device shall start with planning of placing the table in area, having regard to adjacent items. For this purpose use a tape measure, having regard to playing area around the table.
2. Check the assembly method presented below:

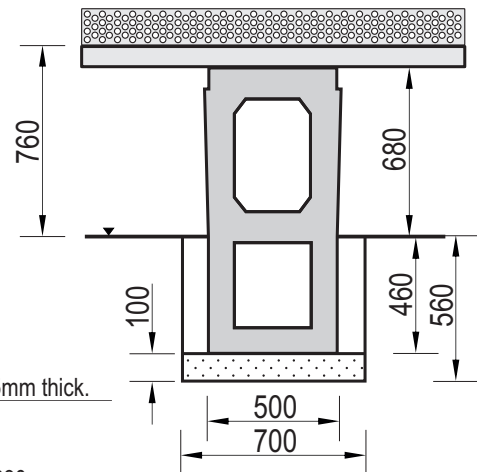
Recommended free playing area

Scale 1:200

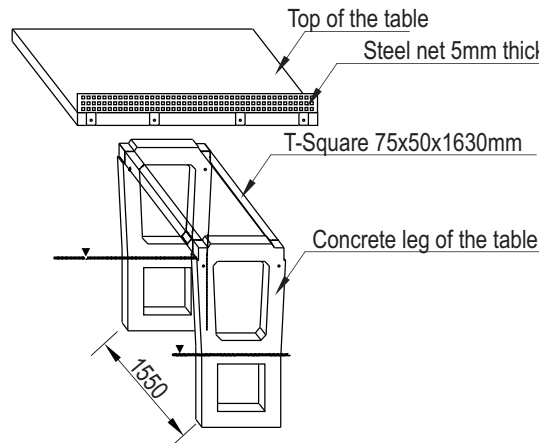


Dimensions of the table

Scale 1:30



Components



3. Assembly works shall be started by screwing two table legs with two T-squares 75x50x1630mm by using M10 screws. This action will also set down the distance between table legs, which shall be about 1550mm. for legs axes.
4. Excavate two trenches for foundations with dimensions: 700x300x560mm (width x length x depth). The bottom shall be lined by 100mm layer of a sand.
5. Place the screwed legs with T-squares in the trenches and level the table by using a spirit level. When legs of the table are set exactly vertically and the T-squares are exactly horizontal the constructions shall be locked, in order to not change the position during filling in the trenches.
6. Fill in the trenches for foundations by the soil and compact each 100mm thick. layer.
7. Screw the steel net to the one side of the table top as shown on the above drawing. Use the M8x16 bolts with the conical heads which are hidden in the steel set.
8. Put the two tops on the prepared construction. Check if the tops are set vertically and screw them from below by using metal t-squares and M10x25 bolts.
9. Level the ground around the table and remove the assembly tools.

Recommendations

- The assembly location shall be agreed with the owner or the administrator of the area.
- Ensure that the equipment does not present a risk to the health or safety of users and does not block access routes that may need to be used by emergency vehicles or commercial vehicles.

WARNING ! The equipment shall be used in accordance with its intended purpose