

TECHNICAL DATA SHEET

PING PONG TABLE

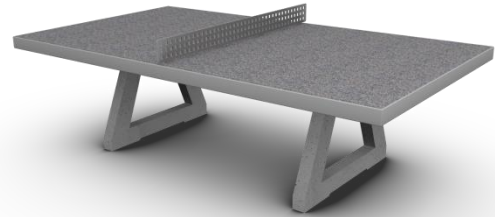
FREESTANDING

Catalogue number: 3200

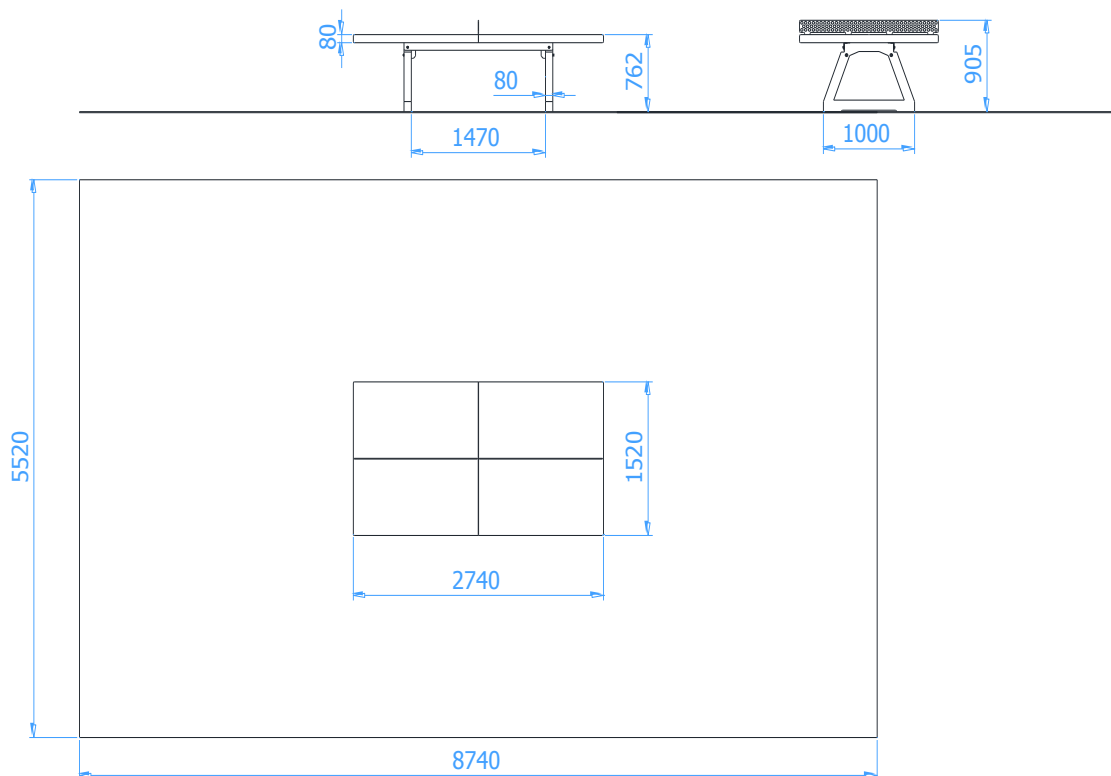
It shall apply from 15-03-2019

Product Dimensions:
(length x width x height) 2,74 x 1,52 x 0,90 m

Game area:
(length x width) 8,74 x 5,52 m



Dimensions of the table



Technical Description

- Polished and enamel top made of high quality concrete with decorative aggregate
- The top of the table protected by aluminum edge trims
- Center and side lines marked on the top of the table
- 5 mm steel net
- All steel components protected against corrosion (hot dip galvanized)
- The table is certified to European standard PN-EN 15312+A1:2010